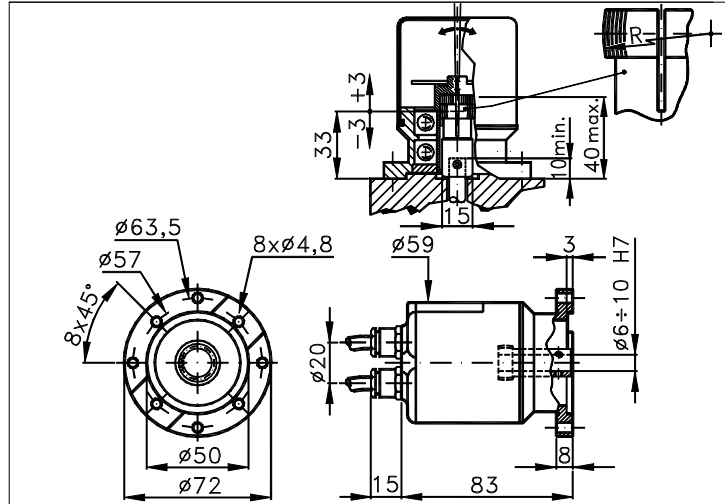


SAME MECHANIC CHARACTERISTICS AS MOD.72, BUT WITH DUPLICATED PHOTOELECTRIC DETECTOR AND DUPLICATED AMPLIFIERS, SWITCHABLE EXTERNALLY IN EVENT OF FAILURE, TO AVOID WORK-STOP CONDITIONS.

Sized draw standard version: CC Measures without tolerance according to UNI ISO 2768-mk
Max joint compensation: axial ± 3mm, radial ± 0,05mm, angular ± 2°

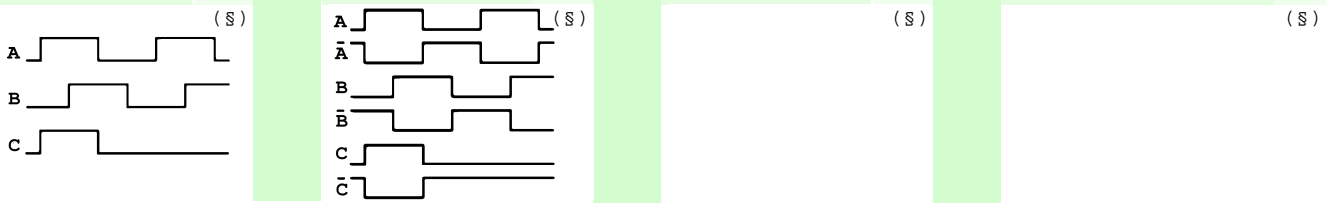


TECHNICAL FEATURES AND POSSIBLE CONFIGURATIONS

- Base.....: ANODIZED ALUMINIUM (*)
 - Cover.....: VALOX 420 (*)
 - Weight.....: 510 g
 - Shaft.....: Ø 6±10 HOLLOW STAINLESS ST (*)
 - Max.rad/axial load.: 8 kg
 - IP output side.(°): see 'CONNECTION' of page 2
 - IP shaft side.(°)> std. 64 | sealed 66 | low torq. -
opt. type (page 2)> standard | Z
 - Contin. max RPM(**)> 6000 | 3000 | -
 - Starting torque gcm> 50 | 90 | -
 - Ball bearings life...: 1,5 x 10⁹ revolutions
 - Impact resistance....: 50 G x 11ms
 - Vibration resistance.: 12 G (10 ÷ 2000 Hz)
 - Power supply.....: 5÷30V (see page 2)
 - Operating temperature: 0 ÷ 70 °C (*)
 - Storage temperature...: -30 ÷ 85 °C
 - N° of pulses/rev.....: 1 ÷ 1250
 - Max frequency.....: 100 kHz (160 option)
 - Max consumptions mA...: std 120 line driver 180 (*)
 - Light source.....: LED with >= 100000 h life
- (°) IP according to CEI EN 60529, EN 60529, IEC 529
(*) custom options
(**) intermittent max RPM + 30% of continuous max RPM

ELECTRONICS

| CODE | DESCRIPTION | mA | CODE | DESCRIPTION | mA | CODE | DESCRIPTION | mA | CODE | DESCRIPTION | mA |
|------|---------------|----|------|---------------|----|------|-------------|----|------|-------------|----|
| | STANDARD NPN | 10 | N | DRIVER 26LS31 | 30 | | | | | | |
| K | NPN OPEN COLL | 10 | T | TTL 7404 | 10 | | | | | | |
| Q | NPN | 70 | C | DRIVER 88C30 | 20 | | | | | | |
| R | NPN OPEN COLL | 70 | | | | | | | | | |
| P | PNP | 70 | | | | | | | | | |
| U | PNP OPEN COLL | 70 | | | | | | | | | |
| B | PUSH-PULL PRO | 70 | | | | | | | | | |
| H | PUSH-PULL | 70 | | | | | | | | | |



Tolerance between phases ± 25° , symmetry ± 15°

(§) Clock-wise output rotation (see shaft).

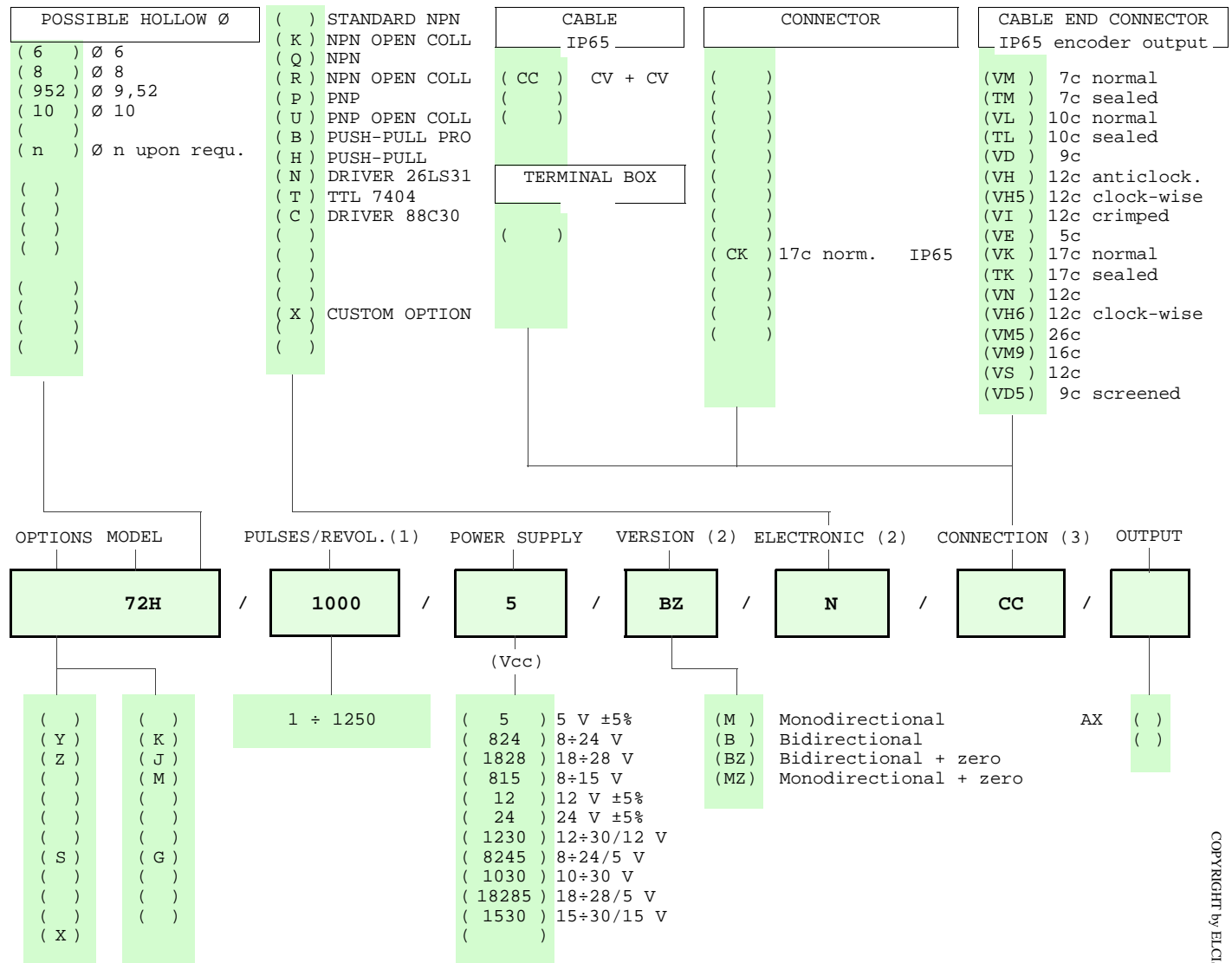


ELCIS s.r.l. Via Rosa Luxembourg 12/14 10093 COLLEGNO (TO) ITALY
Phone: +39 011 715577/78 a.r.
MAIL: ELCIS s.r.l. P.O.Box 90 10093 COLLEGNO (TO) ITALY

* <http://www.elcis.com>
* e-mail: info@elcis.com
* Fax: +39 011 712613

| POSSIBLE OPTIONS | | | | POSSIBLE CONNECTIONS | | | | | | | | |
|------------------|---------------------|------|-------------------------|----------------------|----|----|----|---------|-----|-----|----|----|
| CODE | DESCRIPTION | CODE | DESCRIPTION | | | | | | | | | |
| Y | Unbreakable disk | K | Invert. phase A,B,Zero. | CABLE | | | | OUTPUT: | | | | |
| Z | Sealed ball bearing | J | Zero logic combination | CC | | | | AX | | | | |
| | | M | Impregnated electronic | CONNECTOR | | | | OUTPUT: | | | | |
| | | | | CK | | | | AX | | | | |
| S | 160 KHz frequency | G | Tropicalization | CABLE END CONNECTOR | | | | OUTPUT: | | | | |
| | | | | VM | TM | VL | TL | VD | VH | VH5 | VI | AX |
| | | | | VE | VK | TK | VN | VH6 | VM5 | VM9 | VS | |
| | | | | VD5 | | | | | | | | |
| X | Custom options | | | TERMINAL BOX | | | | OUTPUT: | | | | |


ORDERING INFORMATION



NOTE: FOR 88C30 MAX 15 Vdc

Product manufactured according to UNI EN ISO 9001:2000, supplied with CHECKING and CONFORMITY declaration with CE mark and with TWO (2) YEARS WARRANTY starting from delivery date.

- (1) For further information see PULSES/REVOL. data sheet
- (2) For further information see ELECTRONIC data sheet
- (3) For further information see CONNECTION data sheet

| | | |
|--|--|--|
|  | ELCIS s.r.l. Via Rosa Luxembourg 12/14 10093 COLLEGNO (TO) ITALY | * http://www.elcis.com |
| | Phone: +39 011 715577/78 a.r. | * e-mail: info@elcis.com |
| | MAIL: ELCIS s.r.l. P.O.Box 90 10093 COLLEGNO (TO) ITALY | * Fax: +39 011 712613 |

COPYRIGHT by ELCIS - Collegno (TO)