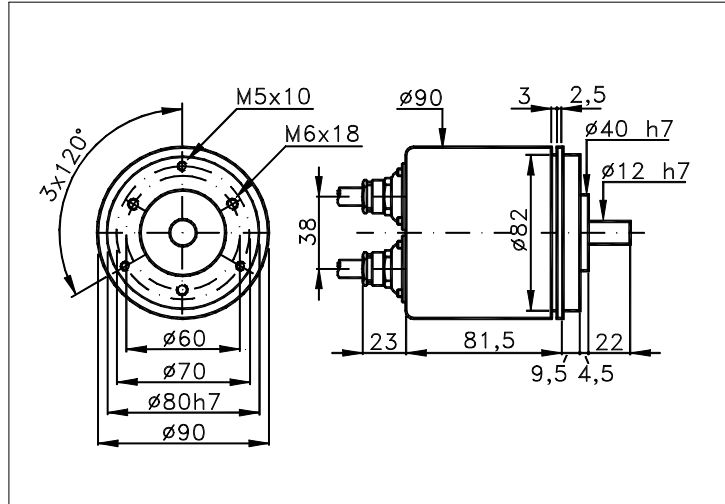


Sized draw standard version: CW Measures without tolerance according to UNI ISO 2768-mk



TECHNICAL FEATURES AND POSSIBLE CONFIGURATIONS

- Base.....: ANODIZED ALUMINIUM (*)
- Cover.....: ANODIZED ALUMINIUM (*)
- Weight.....: 850 g
- Shaft.....: Ø 12 STAINLESS STEEL (*)
- Max.rad/axial load.: 15 kg
- IP output side.(°): see 'CONNECTION' of page 2
- IP shaft side.(°)> std. 66 | sealed 67 | low torq. -
- opt. type (page 2)> standard | Z
- Contin. max RPM(**)> 6000 | 3000 | -
- Starting torque gcm> 90 | 150 | -
- (°) IP according to CEI EN 60529, EN 60529, IEC 529
- (*) custom options
- Ball bearings life....: 1,5 x 10⁹ revolutions
- Impact resistance....: 50 G x 11ms
- Vibration resistance.: 12 G (10 ÷ 2000 Hz)
- Power supply.....: 5÷30V (see page 2)
- Operating temperature: 0 ÷ 70 °C (*)
- Storage temperature...: -30 ÷ 85 °C
- N° of pulses/rev.....: 1 ÷ 1250
- Max frequency.....: 100 kHz (160 option)
- Max consumptions mA...: std 120 line driver 180 (*)
- Light source.....: LED with >= 100000 h life
- (**) intermittent max RPM + 30% of continuous max RPM

ELECTRONICS

CODE	DESCRIPTION	mA	CODE	DESCRIPTION	mA	CODE	DESCRIPTION	mA	CODE	DESCRIPTION	mA
	STANDARD NPN	10	N	DRIVER 26LS31	30						
K	NPN OPEN COLL	10	T	TTL 7404	10						
Q	NPN	70	C	DRIVER 88C30	20						
R	NPN OPEN COLL	70									
P	PNP	70									
U	PNP OPEN COLL	70									
B	PUSH-PULL PRO	70									
H	PUSH-PULL	70									



Tolerance between phases ± 25°, symmetry ± 15°

(§) Clock-wise output rotation (see shaft).



ELCIS s.r.l. Via Rosa Luxembourg 12/14 10093 COLLEGNO (TO) ITALY
Phone: +39 011 715577/78 a.r.
MAIL: ELCIS s.r.l. P.O.Box 90 10093 COLLEGNO (TO) ITALY

* <http://www.elcis.com>
* e-mail: info@elcis.com
* Fax: +39 011 712613

POSSIBLE OPTIONS				POSSIBLE CONNECTIONS								
CODE	DESCRIPTION	CODE	DESCRIPTION	CABLE				OUTPUT:				
Y	Unbreakable disk	K	Invert. phase A,B,Zero.	CW				AX				
Z	Sealed ball bearing	J	Zero logic combination					RAD				
H	Different shaft Ø	M	Impregnated electronic	CONNECTOR				OUTPUT:				
S	160 KHz frequency	P	Compressed air attack	CM	SM	CL	SL	CD	CH	CH5	CI	AX
X	Custom options	Q	Oil seal					RAD				
		G	Tropicalization	CABLE END CONNECTOR				OUTPUT:				
				VM	TM	VL	TL	VD	VH	VH5	VI	AX
				VE	VK	TK	VN	VH6	VM5	VM9	VS	RAD
				VD5								
				TERMINAL BOX				OUTPUT:				

ORDERING INFORMATION

POSSIBLE SHAFT Ø	CABLE	CONNECTOR	CABLE END CONNECTOR
()	() STANDARD NPN	()	() IP65 encoder output
()	(K) NPN OPEN COLL	()	(VM) 7c normal
()	(Q) NPN	()	(TM) 7c sealed
()	(R) NPN OPEN COLL	()	(VL) 10c normal
()	(P) PNP	()	(TL) 10c sealed
()	(U) PNP OPEN COLL	()	(VD) 9c
(n)	(B) PUSH-PULL PRO	()	(VH) 12c anticlock.
	(H) PUSH-PULL	()	(VH5) 12c clock-wise
	(N) DRIVER 26LS31	()	(VI) 12c crimped
	(T) TTL 7404	()	(VE) 5c
	(C) DRIVER 88C30	()	(VK) 17c normal
		()	(TK) 17c sealed
		()	(VN) 12c
	(X) CUSTOM OPTION	()	(VH6) 12c clock-wise
		()	(VM5) 26c
		()	(VM9) 16c
		()	(VS) 12c
		()	(VD5) 9c screened

OPTIONS	MODEL	PULSES/REVOL. (1)	POWER SUPPLY	VERSION (2)	ELECTRONIC (2)	CONNECTION (3)	OUTPUT
()	90H	500	5	BZ	N	CW	()
()		1 ÷ 1250	(Vcc)				AX ()
(Y)			(5) 5 V ±5%	(M)	Monodirectional		RAD (R)
(Z)			(824) 8÷24 V	(B)	Bidirectional		
()			(1828) 18÷28 V	(BZ)	Bidirectional + zero		
(H)			(815) 8÷15 V	(MZ)	Monodirectional + zero		
()			(12) 12 V ±5%				
()			(24) 24 V ±5%				
()			(1230) 12÷30/12 V				
(S)			(8245) 8÷24/5 V				
()			(1030) 10÷30 V				
()			(18285) 18÷28/5 V				
()			(1530) 15÷30/15 V				
(X)			()				

Product manufactured according to ISO EN 9001, supplied with CHECKING and CONFORMITY declaration with CE mark and with TWO (2) YEARS WARRANTY starting from delivery date.

NOTE: FOR 88C30 MAX 15 Vdc

- (1) For further information see PULSES/REVOL. data sheet
- (2) For further information see ELECTRONIC data sheet
- (3) For further information see CONNECTION data sheet

	<p>ELCIS s.r.l. Via Rosa Luxembourg 12/14 10093 COLLEGNO (TO) ITALY Phone: +39 011 715577/78 a.r. MAIL: ELCIS s.r.l. P.O.Box 90 10093 COLLEGNO (TO) ITALY</p>	<p>* http://www.elcis.com * e-mail: info@elcis.com * Fax: +39 011 712613</p>
--	---	---

COPYRIGHT by ELCIS - Collegno (TO)