

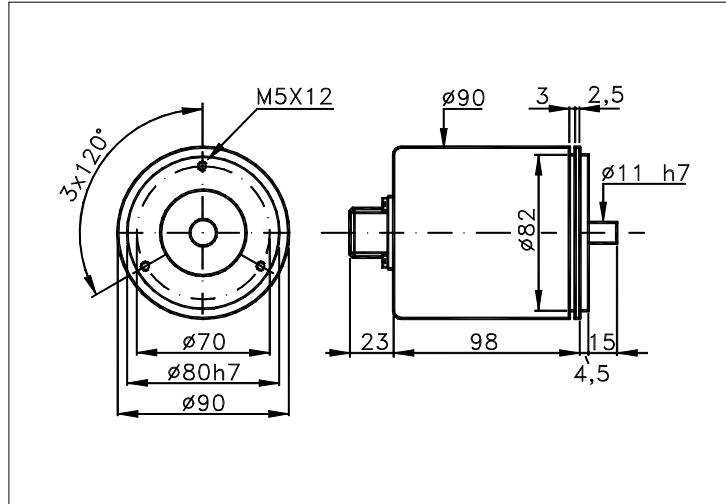
INCREMENTAL ENCODER

90K

TRANSDUCER MADE BY TWO INTERNAL ENCODERS, THE OUTPUTS OF WHICH ARE INDEPENDENT FOR NUMBER OF PULSES, POWER SUPPLY, ELECTRONIC AND GALVANICALLY INSULATED BETWEEN THEIRSELVES.

Increm. page: 10. 90K 1/2
data sheet . II071 E00

Sized draw standard version: CK Measures without tolerance according to UNI ISO 2768-mk



TECHNICAL FEATURES AND POSSIBLE CONFIGURATIONS

- Base.....: ANODIZED ALUMINIUM (*)
- Cover.....: ANODIZED ALUMINIUM (*)
- Weight.....: 950 g
- Shaft.....: Ø 11 STAINLESS STEEL (*)
- Max.rad/axial load.: 6 kg
- IP output side.(°): see 'CONNECTION' of page 2
- IP shaft side.(°):> std. 65 | sealed 66 | low torq. -
opt. type (page 2):> standard | Z
- Contin. max RPM(**):> 6000 | 3000 | -
- Starting torque gcm> 30 | 40 | -
- Ball bearings life....: 1,5 x 9¹⁰ revolutions
- Impact resistance....: 50 G x 11ms
- Vibration resistance.: 12 G (10 ÷ 2000 Hz)
- Power supply.....: 5÷30V (see page 2)
- Operating temperature: 0 ÷ 70 °C (*)
- Storage temperature...: -30 ÷ 85 °C
- N° of pulses/rev.....: 1÷36000 + 1÷2540
- Max frequency.....: 100 kHz (300 option)
- Max consumptions mA...: std 120 line driver 180 (*)
- Light source.....: LED with >= 100000 h life

(°) IP according to CEI EN 60529, EN 60529, IEC 529

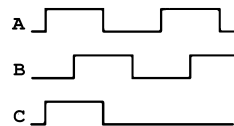
(*) custom options

(**) intermittent max RPM + 30% of continuous max RPM

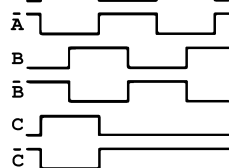
ELECTRONICS

CODE	DESCRIPTION	mA	CODE	DESCRIPTION	mA	CODE	DESCRIPTION	mA	CODE	DESCRIPTION	mA
	STANDARD NPN	10	N	DRIVER 26LS31	30	D	DISCRIMINAT.	70	Y	SINUSOID. 1Vpp	10
K	NPN OPEN COLL	10	T	TTL 7404	10						
Q	NPN	70	C	DRIVER 88C30	20						
R	NPN OPEN COLL	70	L	2x PUSH-P.PRO	70						
P	PNP	70	M	2x PUSH-PULL	70						
U	PNP OPEN COLL	70									
B	PUSH-PULL PRO	70									
H	PUSH-PULL	70									

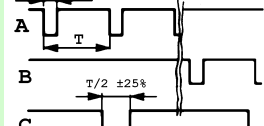
(§) Clock-wise output rotation (see shaft).



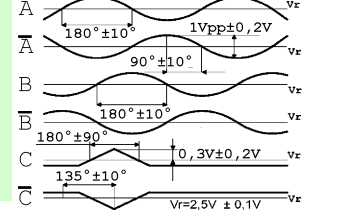
(§) Clock-wise output rotation (see shaft).



(§) Clock-wise output rotation (see shaft).



(§) Clock-wise output rotation (see shaft).



Tolerance between phases ± 25° , symmetry ± 15°

(§) Clock-wise output rotation (see shaft).



ELCIS s.r.l. Via Rosa Luxembourg 12/14 10093 COLLEGNO (TO) ITALY
Phone: +39 011 715577/78 a.r.
MAIL: ELCIS s.r.l. P.O.Box 90 10093 COLLEGNO (TO) ITALY

* <http://www.elcis.com>
* e-mail: info@elcis.com
* Fax: +39 011 712613

POSSIBLE OPTIONS				POSSIBLE CONNECTIONS								
CODE	DESCRIPTION	CODE	DESCRIPTION	CABLE				OUTPUT:				
L	Low temperature			CV	CC			AX RAD				
Y	Unbreakable disk	K	Invert. phase A,B,Zero.	CONNECTOR				OUTPUT:				
Z	Sealed ball bearing	J	Zero logic combination	CK	LM	ML	MM	LL	HH	SK	SLM	AX RAD
H	Different shaft Ø	M	Impregnated electronic	SML	SMM	SLL						
S	160 KHz frequency	A	High temperature	CABLE END CONNECTOR				OUTPUT:				
W	300 KHz frequency	P	Compressed air attack	VK	VLM	VML	VMM	VLL	VHH	TK	TLM	AX RAD
X	Custom options	Q	Oil seal	TML	TMM	TLL	VNN					
		G	Tropicalization	TERMINAL BOX				OUTPUT:				

ORDERING INFORMATION

<p>() STANDARD NPN (K) NPN OPEN COLL (Q) NPN (R) NPN OPEN COLL (P) PNP (U) PNP OPEN COLL (B) PUSH-PULL PRO (H) PUSH-PULL (N) DRIVER 26LS31 (T) TTL 7404 (C) DRIVER 88C30 (L) 2x PUSH-P.PRO (M) 2x PUSH-PULL (D) DISCRIMINAT. (Y) SINUSOID.1Vpp (X) CUSTOM OPTION () ()</p>	<p style="text-align: center;">CABLE</p> <p style="text-align: center;">IP65</p> <p style="text-align: center;">I Enc.+II Enc.</p> <p>(CV) Sole cable (CC) CV + CV ()</p>	<p style="text-align: center;">CONNECTOR</p> <p style="text-align: center;">I Enc.+II Enc.</p> <p>(CK) Sole conn. IP65 (LM) CL + CM IP65 (ML) CM + CL IP65 (MM) CM + CM IP65 (LL) CL + CL IP65 (HH) CH + CH IP67 (SK) Sole conn. IP66 (SLM) SL + SM IP66 (SML) SM + SL IP66 (SMM) SM + SM IP66 (SLL) SL + SL IP66 () () ()</p>	<p style="text-align: center;">CABLE END CONNECTOR</p> <p style="text-align: center;">IP65 encoder output</p> <p style="text-align: center;">I Enc.+II Enc.</p> <p>(VK) Sole connect. (VLM) VL + VM (VML) VM + VL (VMM) VM + VM (VLL) VL + VL (VHH) VH + VH (TK) Sole connect. (TLM) TL + TM (TML) TM + TL (TMM) TM + TM (TLL) TL + TL (VNN) VN + VN</p>			
<p style="text-align: center;">POSSIBLE SHAFT Ø</p> <p>(n) Ø n upon requ.</p>						
<p style="text-align: center;">TERMINAL BOX</p> <p style="text-align: center;">IP00</p>						
OPTIONS MODEL	PULSES/REVOL. (1)	POWER SUPPLY	VERSION (2)	ELECTR. (2)	CONNECTION (3)	OUTPUT
90K	I / II Encoder 1000 / 500	I / II Encoder 5 / 82 (Vcc)	3	I / II Encoder N / B	CK	() (R)
<p>(L) () (Y) (K) (Z) (J) () (M) (H) (A) () (P) () (Q) (S) (G) (W) () () () () () (X) ()</p>	<p>1+36000 + 1+2540</p>	<p>(5) 5 V ±5% (82) 8÷24 V (18) 18÷28 V (81) 8÷15 V (12) 12 V ±5% (24) 24 V ±5% (23) 12÷30/12 V (45) 8÷24/5 V (10) 10÷30 V (85) 18÷28/5 V (53) 15÷30/15 V ()</p>	<p>(1) Monodir. + Monodir. (2) Bidir. + Monodir. (3) Bidir.+zero + Monodir. (4) Monodir. + Bidir. (5) Bidir. + Bidir. (6) Bidir.+zero + Bidir. (7) Monodir. + Bidir.+zero (8) Bidir. + Bidir.+zero (9) Bidir.+zero + Bidir.+zero (0) Speciale + Speciale</p>	<p>I Encoder + II Encoder</p> <p>AX () RAD (R)</p>		
<p>NOTE: FOR 88C30 MAX 15 V</p>						
<p>(1) For further information see PULSES/REVOL. data sheet (2) For further information see ELECTRONIC data sheet (3) For further information see CONNECTION data sheet</p>						

Product manufactured according to ISO EN 9001, supplied with CHECKING and CONFORMITY declaration with CE mark and with TWO (2) YEARS WARRANTY starting from delivery date.

COPYRIGHT by ELCIS - Collegno (TO)

	<p>ELCIS s.r.l. Via Rosa Luxembourg 12/14 10093 COLLEGNO (TO) ITALY Phone: +39 011 715577/78 a.r. MAIL: ELCIS s.r.l. P.O.Box 90 10093 COLLEGNO (TO) ITALY</p>	<p>* http://www.elcis.com * e-mail: info@elcis.com * Fax: +39 011 712613</p>
--	---	---