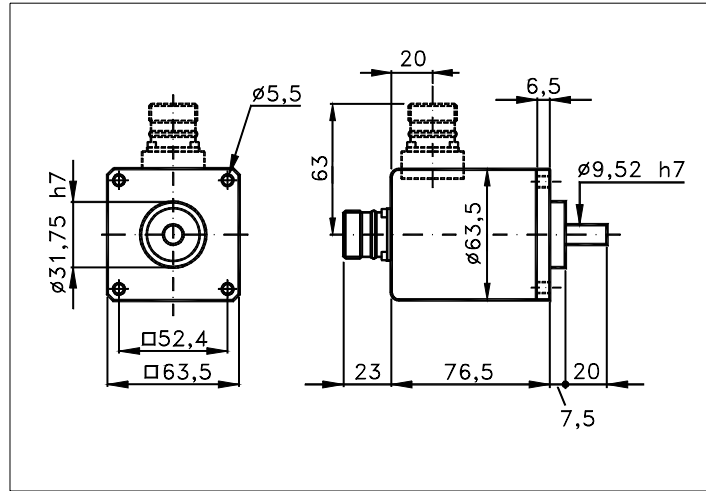


**ABSOLUTE
ENCODER
763**

Programmable absolute single/multiturn encoder with up to 65536 steps x4096 rev
 With SSI interface and incremental output: 1024 sin/cos or up to 16384 line driver
 In standard 'size 25' metallic housing with square mounting flange
 Mechanical sturdiness and accurate engineering are its main features.

Family: **A**
 pag.: 01.763 1/2
 data sheet IG 005 X0B



Measures without tolerance according to UNI ISO 2768-mk

TECHNICAL FEATURES AND POSSIBLE CONFIGURATIONS

- Output codes.....: Gray or Binary
- Max resolution ...: 65536 (16 bit)
- Max revolutions ...: 4096 rev.(12 bit)
- Power supply Vcc....: 10÷30 V
- Max consumption.....: 200 mA
- Optical sensors.....: OptoAsic
- Operating temp.....: -20 ÷ +85 °C
- Storage temp.....: -30 ÷ +85 °C
- Max. clock freq.....: 500 kHz
- Inputs.....: SSI Clock, DIR, PRESET
- Ouput electronic....: Line driver RS 422
- Interface: (S1) SSI with Preset
- Options: (PR) Programmable
(S) Sin/Cos 1024
(I) Incremental

(*)

- Connect. (R) Radial : CV CL SL CH
(-) Axial CV CL SL CH
 - Base.....: Aluminium
 - Cover.....: VALOX 420
 - Weight.....: 620 g
 - Shaft.....: Stainless steel Ø 9,52
 - Max.rad/ax.load....: 5 Kg
 - IP output side.....: see 'CONNECTIONS'pag. 2
 - IP shaft side.....: std.65 | sealed 66
 - Contin. max RPM(°): 6000 | 3000
 - Starting torq. gcm.: 18 | 30
 - Impact resistance..: 50 G (11 ms)
 - Vibration resist...: 12 G (10 ÷ 2000 Hz)
 - MTTFd (°).....: HIGH
- (°)MTTFd according to UNI EN ISO 13849-1
 (**) Intermittent max RPM + 30% of continuous max RP

PROGRAMMABLE PARAMETERS

Programming (PR option) is available with SW on PC connected by special cable to a USB that feeds the encoder. It can be also provided a RS422 interface that allows to program and exchange data in ASCII code with the encoder.(SW and cable are supplied upon request)

Programmable parameter:

- Code.....: Gray or Binary
- Resolution...: Max encoder physical resolution
- Preset.....: Preset value
- Direction...: Counting direction

POSSIBLE OPTIONS

CODE	DESCRIPTION	CODE	DESCRIPTION	CODE	DESCRIPTION
Y	Unbreakable disk	X	Custom options	G	Tropicalization
H	Different shaft Ø	P	Compressed air connect	Z	Sealed ball bearing

	Elcis encoder s.r.l. Via Rosa Luxembourg 12/14 10093 COLLEGNO (TO) ITALY	* http://www.elcis.com
	Phone: +39 011 715577/78 r.a.	* e-mail: info@elcis.com
	MAIL: Elcis encoder s.r.l. P.O.Box 70 10093 COLLEGNO (TO) ITALY	* Fax: +39 011 712613

SSI INTERFACE

SSI INTERFACE DESCRIPTION.

Position value is transmitted in synchronous mode with Clock signal, provided by control, starting from the MSB. At the beginning of a reading sequence, the first leading front of Clock stores position data in a Shift-Register, with the next rise fronts of the Clock it occurs the transmission starting from (MSB) bit. On the rise front of last Clock starts a mono-stable that keeps down the data line for a time $t_p \sim 32 \mu s$, during this time it is not possible to send another pulses sequence.

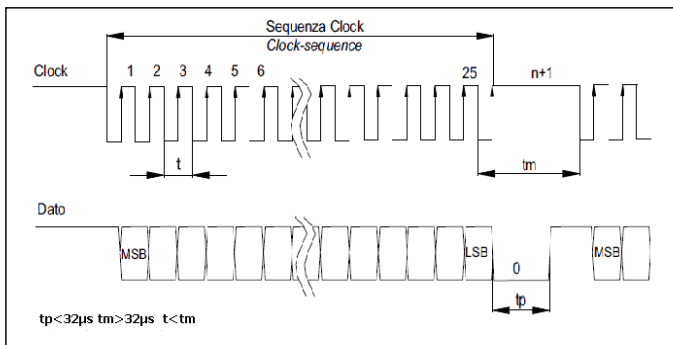
The Clock pulses sequence is:

-14 pulses for singleturn encoder with max 13 bit (8192) resolution

-26 pulses for multiturn encoder with max 25 bit (8192 x 4096) resolution

-29 pulses for multiturn encoder with max 28 bit (65536 x 4096) resolution

The position bit is always right aligned, therefore, if the resolution is less than the max. resolution, the lacking MSB are at 0.



CONNECTIONS			
SIGNAL	CABLE	CONNECTOR	
		CH	CL - SL
DATA+	WHITE	3	B
DATA-	BROWN	4	H
CLOCK+	YELLOW	2	A
CLOCK-	ORANGE	1	G
DIR	VIOLET	8	I
PRESET	GREEN	9	C
PROG	BLACK	7	J
+Vprog	GRAY	10	E
+Vcc	RED	11	D
0V - GND	BLUE	12	F

CONNECTIONS Opz. S / I		
SIGNAL	CABLE	CONNECTOR
		CH
DATA+	WHITE	3
DATA-	BROWN	4
CLOCK+	YELLOW	2
CLOCK-	ORANGE	1
DIR	VIOLET	8
PRESET	GREEN	9
Sin+/A+	W./BLACK	5
Sin-/A-	W./BROWN	6
Cos+/B+	BLACK	7
Cos-/B-	GREY	10
+Vcc	RED	11
0V - GND	BLUE	12

ORDERING CODE

Possible shaft \emptyset

(n) \emptyset n a rich.
 (6) \emptyset 6
 (8) \emptyset 8
 (10) \emptyset 10
 (11) \emptyset 11
 (12) \emptyset 12

(G) Gray
 (B) Binary

(CV) 1 m long cable IP65
 (CL) Conn.10 pin MS310A18-1P IP65
 (SL) Conn.10 pin MS310R18-1P IP66
 (CH) Conn. 12 pin Eml 121 IP66
 ()

(S1) SSI with Preset

MODEL / CODE / RESOLUTION / POWER SUPPLY / INTERFACE / OPTIONS / CONNECT. / OUTPUT

A 763 M / **G** / **4096** / **1030** / **S1** / **PR** / **CV** / **R**

OPTIONS TYPE
S SINGLE-TURN
M MULTI-TURN

(Z) Sealed ball bearing
 (B) Low torque ball bear.
 (Y) Unbreakable disk
 (X) Custom options
 (H) Different shaft \emptyset
 (P) Compressed air connect
 (G) Tropicalization

1024 steps/rev.
 4096 steps/rev.
 8192 steps/rev.
 16384 steps/rev.
 32768 steps/rev.
 65536 steps/rev.

(1030) 10 + 30 V

(PR) Programmable (up to 8192 steps)
 (S) Sin/Cos 1024
 (I1) INCR. 1024
 (I2) INCR. 2048
 (I3) INCR. 4096
 (I4) INCR. 8192
 (I5) INCR. 16384

(-) Axial
 (R) Radial

Product manufactured according to UNI EN ISO 9001:2008, supplied with CHECKING and CONFORMITY declaration with CE mark and with TWO (2) YEARS WARRANTY starting from delivery date.

COPYRIGHT by ELCIS - Collegno (TO)

ELCIS company has the right to make any changing without previous notice.

data sheet IG 005 X0B pag.: 01. 763 2/2



Elcis encoder s.r.l. Via Rosa Luxembourg 12/14 10093 COLLEGNO (TO) ITALY
 Phone: +39 011 715577/78 r.a. .
 MAIL: Elcis encoder s.r.l. P.O.Box 70 10093 COLLEGNO (TO) ITALY

* <http://www.elcis.com>
 * e-mail: info@elcis.com
 * Fax: +39 011 712613