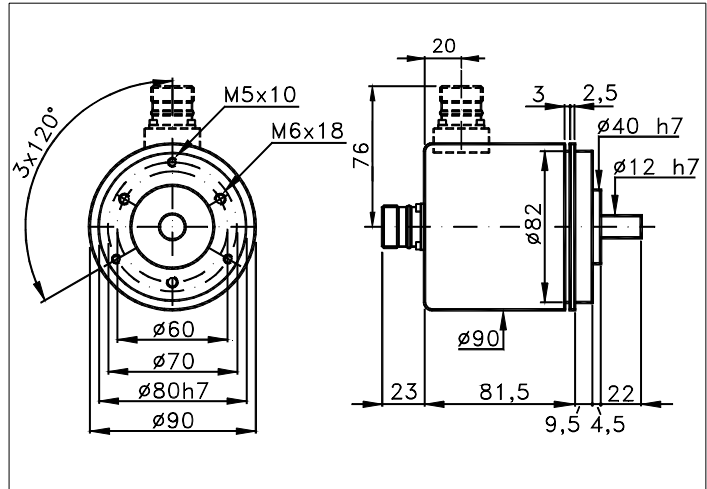


**ABSOLUTE
ENCODER
790A**

Programmable absolute single/multiturn encoder with up to 65536 steps x4096 rev
With SSI interface and incremental output: 1024 sin/cos or up to 16384 line driver
All-metal housing with double 'O-ring' and very strong shaft make it suitable
for operation in rolling mills and other adverse ambients

Family: **A**
pag.: 01.790A 1/2
data sheet IG 010 X0B



Measures without tolerance according to UNI ISO 2768-mk

TECHNICAL FEATURES AND POSSIBLE CONFIGURATIONS

- Output codes.....: Gray or Binary
- Max resolution ...: 65536 (16 bit)
- Max revolutions ...: 4096 rev.(12 bit)
- Power supply Vcc....: 10÷30 V
- Max consumption.....: 200 mA
- Optical sensors.....: OptoAsic
- Operating temp.....: -20 ÷ +85 °C
- Storage temp.....: -30 ÷ +85 °C
- Max. clock freq.....: 500 kHz
- Inputs.....: SSI Clock, DIR, PRESET
- Ouput electronic....: Line driver RS 422
- Interface: (S1) SSI with Preset
- Options: (PR) Programmable
(S) Sin/Cos 1024
(I) Incremental

(*)
Inox on request

- Connect. (R) Radial : CV CL SL CH
(-) Axial CV CL SL CH
- Base.....: Aluminium (Inox on request)
- Cover.....: Aluminium (Inox on request)
- Weight.....: 850 g
- Shaft.....: Stainless steel Ø 12
- Max.rad/ax.load....: 15 Kg
- IP output side.....: see 'CONNECTIONS'pag. 2
- IP shaft side.....: std.66 | sealed 67
- Contin. max RPM(°): 6000 | 3000
- Starting torq. gcm.: 90 | 150
- Impact resistance...: 40 G (11 ms)
- Vibration resist...: 12 G (10 ÷ 2000 Hz)
- MTTFd (°).....: HIGH

(°)MTTFd according to UNI EN ISO 13849-1
(**) Intermittent max RPM + 30% of continuous max RP

PROGRAMMABLE PARAMETERS

Programming (PR option) is available with SW on PC connected by special cable to a USB that feeds the encoder. It can be also provided a RS422 interface that allows to program and exchange data in ASCII code with the encoder.(SW and cable are supplied upon request)

Programmable parameter:

- Code.....: Gray or Binary
- Resolution...: Max encoder physical resolution
- Preset.....: Preset value
- Direction...: Counting direction

POSSIBLE OPTIONS

CODE	DESCRIPTION	CODE	DESCRIPTION	CODE	DESCRIPTION
Y	Unbreakable disk	X	Custom options	G	Tropicalization
H	Different shaft Ø	P	Compressed air connect	Z	Sealed ball bearing



Elcis encoder s.r.l. Via Rosa Luxembourg 12/14 10093 COLLEGNO (TO) ITALY
Phone: +39 011 715577/78 r.a.
MAIL: Elcis encoder s.r.l. P.O.Box 70 10093 COLLEGNO (TO) ITALY

* <http://www.elcis.com>
* e-mail: info@elcis.com
* Fax: +39 011 712613

SSI INTERFACE

SSI INTERFACE DESCRIPTION.

Position value is transmitted in synchronous mode with Clock signal, provided by control, starting from the MSB. At the beginning of a reading sequence, the first leading front of Clock stores position data in a Shift-Register, with the next rise fronts of the Clock it occurs the transmission starting from (MSB) bit. On the rise front of last Clock starts a mono-stable that keeps down the data line for a time $t_p \sim 32 \mu s$, during this time it is not possible to send another pulses sequence.

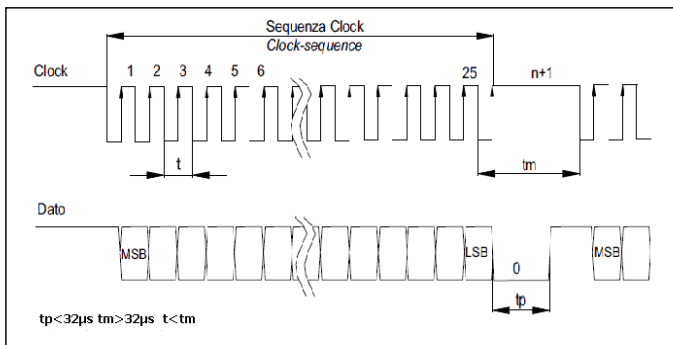
The Clock pulses sequence is:

-14 pulses for singleturn encoder with max 13 bit (8192) resolution

-26 pulses for multiturn encoder with max 25 bit (8192 x 4096 rev) resolution

-29 pulses for multiturn encoder with max 28 bit (65536 x 4096 rev) resolution

The position bit is always right aligned, therefore, if the resolution is less than the max. resolution, the lacking MSB are at 0.



CONNECTIONS			
SIGNAL	CABLE	CONNECTOR	
		CH	CL - SL
DATA+	WHITE	3	B
DATA-	BROWN	4	H
CLOCK+	YELLOW	2	A
CLOCK-	ORANGE	1	G
DIR	VIOLET	8	I
PRESET	GREEN	9	C
PROG	BLACK	7	J
+Vprog	GRAY	10	E
+Vcc	RED	11	D
0V - GND	BLUE	12	F

CONNECTIONS Opz. S / I		
SIGNAL	CABLE	CONNECTOR
		CH
DATA+	WHITE	3
DATA-	BROWN	4
CLOCK+	YELLOW	2
CLOCK-	ORANGE	1
DIR	VIOLET	8
PRESET	GREEN	9
Sin+/A+	W./BLACK	5
Sin-/A-	W./BROWN	6
Cos+/B+	BLACK	7
Cos-/B-	GREY	10
+Vcc	RED	11
0V - GND	BLUE	12

ORDERING CODE

Possible shaft Ø

(n) Ø n a rich.
(10) Ø 10
(127) Ø 12,7
(14) Ø 14
()
()

(G) Gray
(B) Binary

(CV) 1 m long cable IP65
(CL) Conn.10 pin MS310A18-1P IP65
(SL) Conn.10 pin MS310R18-1P IP66
(CH) Conn. 12 pin Eml 121 IP65
()

(S1) SSI with Preset

MODEL / CODE / RESOLUTION / POWER SUPPLY / INTERFACE / OPTIONS / CONNECT. / OUTPUT

A 790A M / **G** / **4096** / **1030** / **S1** / **PR** / **CV** / **R**

OPTIONS TYPE
S SINGLE-TURN
M MULTI-TURN

(Z) Sealed ball bearing
()
(Y) Unbreakable disk
(X) Custom options
(H) Different shaft Ø
(P) Compressed air connect
(G) Tropicalization

(1030) 10 ÷ 30 V

1024 steps/rev.
4096 steps/rev.
8192 steps/rev.
16384 steps/rev.
32768 steps/rev.
65536 steps/rev.

(PR) Programmable (up to 8192 steps)
(S) Sin/Cos 1024
(I1) INCR. 1024
(I2) INCR. 2048
(I3) INCR. 4096
(I4) INCR. 8192
(I5) INCR. 16384

(-) Axial
(R) Radial

Product manufactured according to UNI EN ISO 9001:2008, supplied with CHECKING and CONFORMITY declaration with CE mark and with TWO (2) YEARS WARRANTY starting from delivery date.

COPYRIGHT by ELCIS - Collegno (TO)

ELCIS company has the right to make any changing without previous notice.

data sheet IG 010 X0B pag.: 01. 790A 2/2



Elcis encoder s.r.l. Via Rosa Luxembourg 12/14 10093 COLLEGNO (TO) ITALY
Phone: +39 011 715577/78 r.a.
MAIL: Elcis encoder s.r.l. P.O.Box 70 10093 COLLEGNO (TO) ITALY

* <http://www.elcis.com>
* e-mail: info@elcis.com
* Fax: +39 011 712613