



INSTALLATION AND USER'S GUIDE

Language manual	English
Product	EASY-USB
Description	USB - UART TTL converter
Series of product	

Contents:	Pag.
1.0 Disclaimer	2
2.0 Description and general specifications	2
2.1 Description	
2.2 General specificationdi	
3.0 Technical specification	2
3.1 Serial UART TTL	
3.2 Serial USB	
3.3 Power supply	
3.4 Environmental condition	
3.5 Box	
3.6 Standards	
3.7 Dimensions	
4.0 Preliminary instruction of use	4
5.0 Electrical connections	4
5.1 Configuration set-up	
6.0 Driver installation	6



Manufacturer	<p style="text-align: right;">Seneca s.r.l.</p> <p>Headquarter : Via Germania, 34 - 35127 - Z.I. CAMIN - PD - IT Operations: Via Svizzera, 17 - 35127 - Z.I. CAMIN - PD - IT Tel. +39.049.8705355 - 8705359 - Fax +39.049.8706287</p>
Web	www.seneca.it
Mail	support@seneca.it sales@seneca.it

This document is property of SENECA srl. Duplication and reproduction are forbidden, if not authorized. Contents of the present documentation refers to products and technologies described in it. All technical data contained in the document may be modified without prior notice Content of this documentation is subject to periodical revision.

1.0 DISCLAIMER



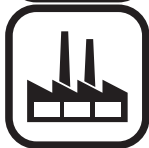
Before executing any operation it is advised to read all the content of this manual. Only electrical-skilled technicians can use the module described in this installation manual. Is installer's responsibility to assure that the installation is in compliance to the security standards regulated from the law.



Only the Manufacturer is authorized to repair the module or to replace damaged components.



No warranty is guaranteed in connection with faults resulting from improper use, from modifications or repairs carried out by Manufacturer-unauthorised personnel on the module.



Seneca S.r.l. www.seneca.it
Headquarter: Via Germania, 34 - 35127 - Z.I.
CAMIN - PD - IT
Operations: Via Svizzera, 17 - 35127 -
Z.I. CAMIN - PD - IT



2.0 DESCRIPTION AND GENERAL SPECIFICATIONS

2.1 Description

The EASY-USB is a serial communication converter that convert the signal from the USB to a standard UART TTL signal and viceversa.

The EASY-USB can be use to configure a Seneca device that has an UART TTL serial port.

Through the installation of a provided driver for yours OS the EASY-USB will be configured as a standard communication port, this allow to use the EASY-USB with any configuration software that exploit the serial standard port (COM1, COM2, etc).

2.2 General specifications

- Compatible with the main OS
 - √ *Windows 98, 98SE, ME, 2000, Server2003, XP.*
 - √ *Windows XP 64bit.*
 - √ *Windows Vista.*
 - √ *Windows XP embedded.*
 - √ *Windows CE.net 4.2 & 5.0.*
 - √ *Mac OS 8, 9, OS-X.*
 - √ *Linux con Kernel 2.4.20 or subsequent, with direct support*
- Plug&play for higher revision of WindowsXP.
- Powers the device to be configured
- Communication port pretected from short-circuits
- Compatible with USB up to 2.0
- RJ11 connetor for UART TTL communication port
- Standard USB A type
- Communication and power supply status are shown from LED

3.0 TECHNICAL SPECIFICATION

3.1 Serial UART TTL

Connector	RJ11 type
voltage level for TTL	5V
Baud rate	300 bps up to 250 Kbps

3.2 Serial USB

Connector	Standard USB A type
USB standards compatibility	1.0, 1.1 e 2.0

3.3 Power supply

Voltage	5V from PC up to 100 mA
Connection modality	From USB

3.4 Environmental condition

Index protection	IP20
Operating temperature	-10 °C.. +65 °C
Humidity	10 ..90% a 40 °C non-condensing
Storage temperature	-40 .. +85°C

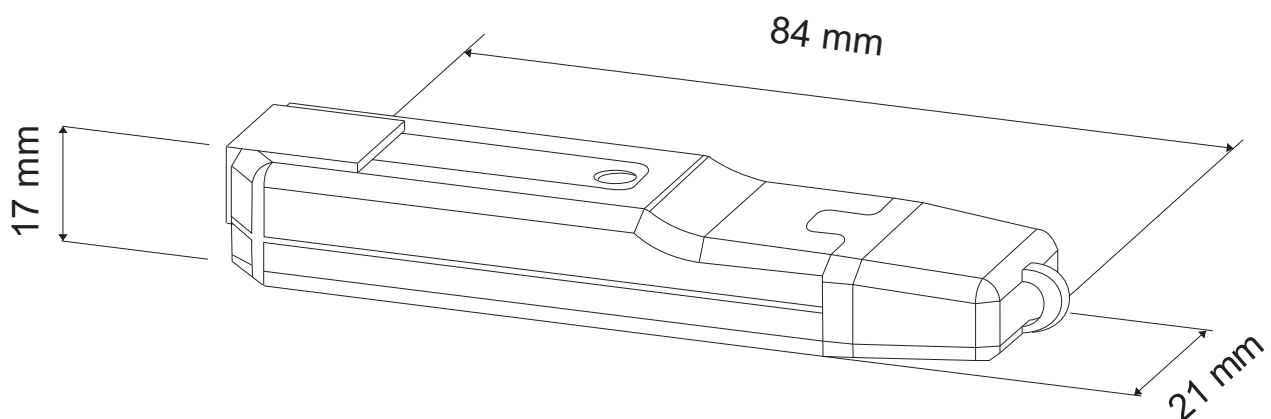
3.5 Box

Dimension	84 x 21 x 17 mm
Box	PVC, trasparente

3.6 Standards

Standards	EN61000-6-4/2007 (electromagnetic emission, industry).
	EN64000-6-2/2005 (electromagnetic immunity, industry).
	EN61010-1/2001 (safety). All circuits must be provided with double insulation from those sections at hazardous voltage. The power supply transformer must comply to EN60742 standard: "Insulation transformers and safety transformers"

3.7 Dimension



4.0 PRELIMINARY INSTRUCTION FOR USE

The EASY-USB can be used in any position and place in accordance to expected environmental conditions.



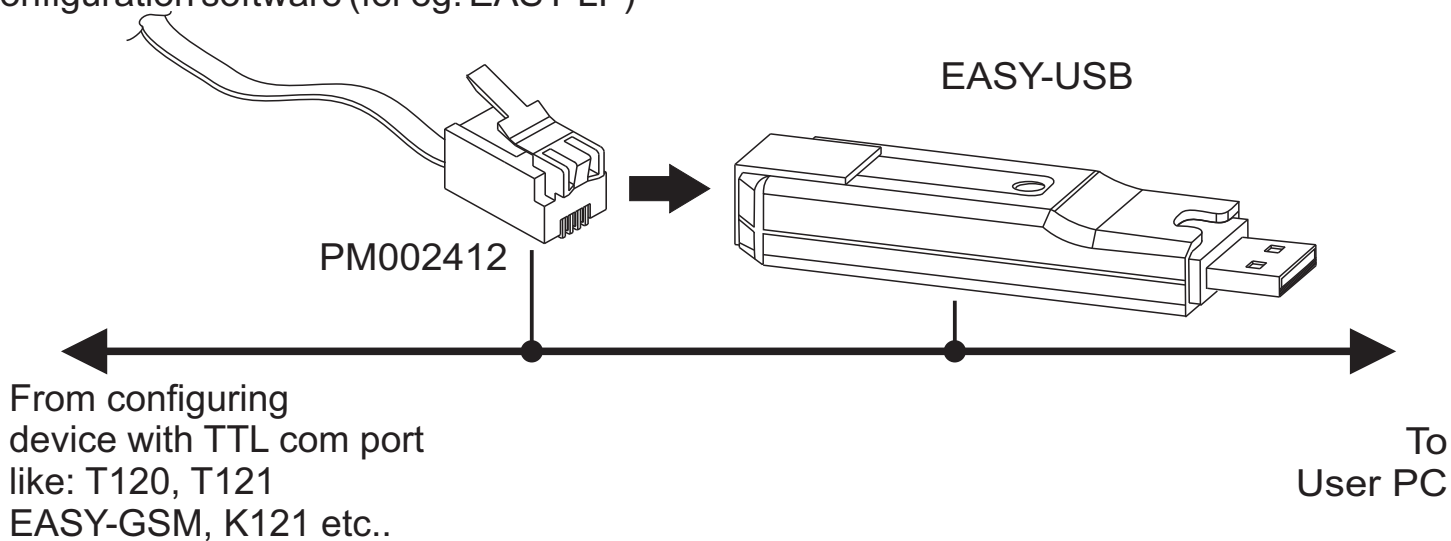
Is recommended to use a communication cable that don't exceeds the length of 3 m to avoid something problems about communication.

5.0 ELECTRICAL CONNECTIONS

5.1 Configuring

The picture below shows how to connect the EASY-USB to configuring a Seneca device with TTL serial port. From the left to the right:

Seneca device to configuring with TTL com port (T120, T121, EASY-GSM, K121, K111 etc..), PM002412 (programming cable), EASY-USB (TTL-USB converter), user PC with installed configuration software (for eg. EASY-LP)



6.0 DRIVER INSTALLATION

6.1 Window XP or higher

Connect the EASY-USB when the PC is switchen on, automatically the OS detect the new device.

The installation starts after the detection of EASY-USB by OS, during the installation the following messages are shows



Fig.1

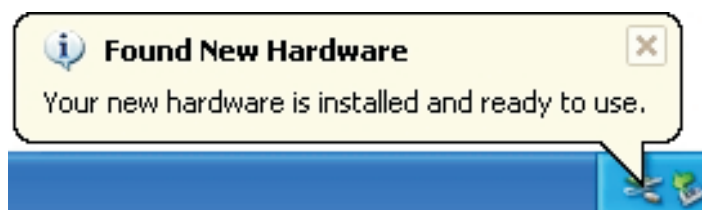


Fig.2

If installation doesn't start automatically it's necessary to provide a manually installation as explained in the following instruction.

First and foremost is advised to have an internet connection to allows the automatic updating from (<http://www.ftdichip.com/Drivers/VCP.htm>) . Configure the startup screen as in Fig 5



Fig 5

On the next screen follow the directions

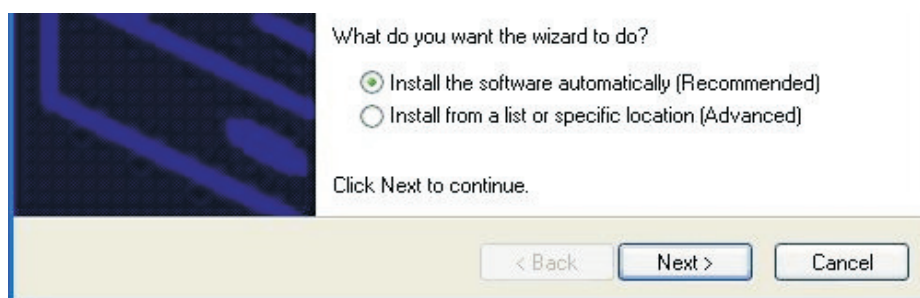


Fig 6

At the end of the search a new screen will be show: successfully updated and correct installation are completed. The EASY-USB will be detected between USB devices and serial com port on yours control panel.



Fig 7



Disposal of Electrical & Electronic Equipment (Applicable throughout the European Union and other European countries with separate collections programs). This symbol, found on your product or on its packaging, indicates that this product should not be treated as household waste when you wish to dispose of it. Instead, it should be handed over to an applicable collection point for the recycling of electrical & electronic equipment. By ensuring this product is disposed of correctly, you will help prevent potential negative consequences to the environment and human health, which could otherwise be caused by inappropriate disposal of this product. The recycling of materials will help to conserve natural resources. For more detailed information about the recycling of the product, please contact your local city office, waste disposal service of the retail store where you purchased this product.