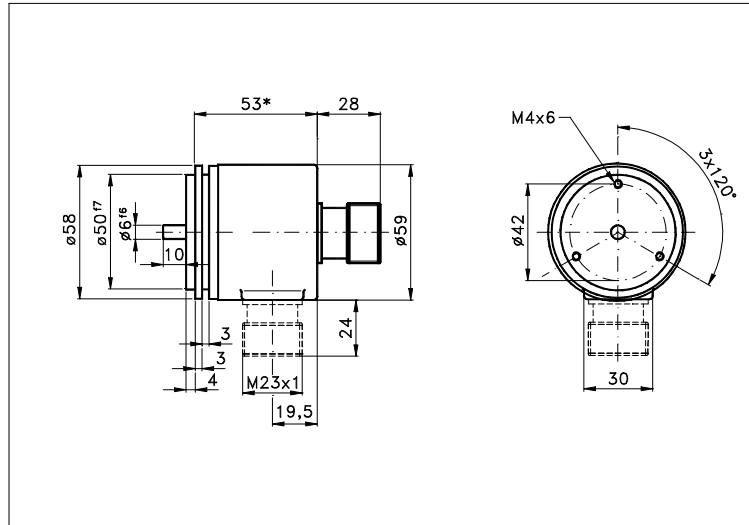


**ABSOLUTE  
ENCODER  
WITH FIELD BUS  
958S**

Compact absolute singleturn or multiturn encoder with Ø 58 'Size 23' flange, for general industrial purposes. 'Servo-mount' installation by means of claws or frontal screws. Very good quality/price ratio.

Absolute with field bus  
page: 04.958S 1/2  
data sheet IB 029 E00

Measures without tolerance acc. to UNI ISO 2768-mk



\* Singleturn axial 42, radial or P1 53; multiturn CV, CVR, F2 62, F2R 78

**TECHNICAL FEATURES AND POSSIBLE CONFIGURATIONS**

- **Output codes**.....: Gray, Binary
- **Max resolut**.....: 16 bit/1 rev.  
                          : 25 bit/4096 rev.
- **Pulses/rev**.....: (AA) 360#, (12) 4096,  
                          (13) 8192, (16) 65536.
- **No. of rev**.....: 1, 16, 256, 4096.
- **Power supply Vcc**.....: 10÷30 VDC
- **Max consumption**.....: 100÷400 mA acc. to bits
- **Light source**.....: LED with >= 100000 h life
- **Optical sensors**.....: IR photodiodes array
- **Step frequency LSB**....: 200 kHz
- **Operating temperature**..: -30 ÷ +70 °C
- **Storage temperature**...: -40 ÷ +85 °C
- **Humidity**.....: 98% (without liquid state)
- **Bus connection**.....: Push-pull 20 mA
- **Short circuit proof**
- **Accuracy of divisions**..: ±½ LSB(<13bit), ±2 LSB(13÷16bit)
- **Output interface**.....: (PP) Parallel  
                                  (P1) Parallel + Preset

- **Connections**                  : For the codes and the descriptions of connectors see 'ORDERING CODE' on page 2.
- **Housing**.....: Aluminium (\*)
- **Weight**.....: singlet.200g ,multit. 400 g
- **Shaft**.....: Stainless steel
- **Max radial/axial load**..: 40/110 N
- **IP output side**.....: see 'CONNECTIONS' on page 2
- **IP shaft side**.....: std.64 | sealed 66
- **Contin. max RPM**...(\*\*): 6000 | 3000
- **Starting torque**..gcm.: 50 | 90
- **Impact resistance**.....: 30 G (11 ms)
- **Vibration resistance**...: 10 G (10 ÷ 1000 Hz)
- **Ball bearings life**....: >10^5 h @ 1000 rev./m
- **SMD technology**
- **Polarity inversion protect.**
- **Over voltage peak protect.**
- **Disc made of unbreakable and durable plastic.**
- **EMC certific. according to EN 61000-6-2, EN 61000-6-4**

(\*) Custom options.

(\*\*) Intermittent max RPM + 30% of continuous max RPM.

(#) Only Singleturn.

**POSSIBLE OPTIONS**

CODE	DESCRIPTION	CODE	DESCRIPTION	CODE	DESCRIPTION
Q	All stainl. steel	W	Sealed ball bear.	X	Customer options



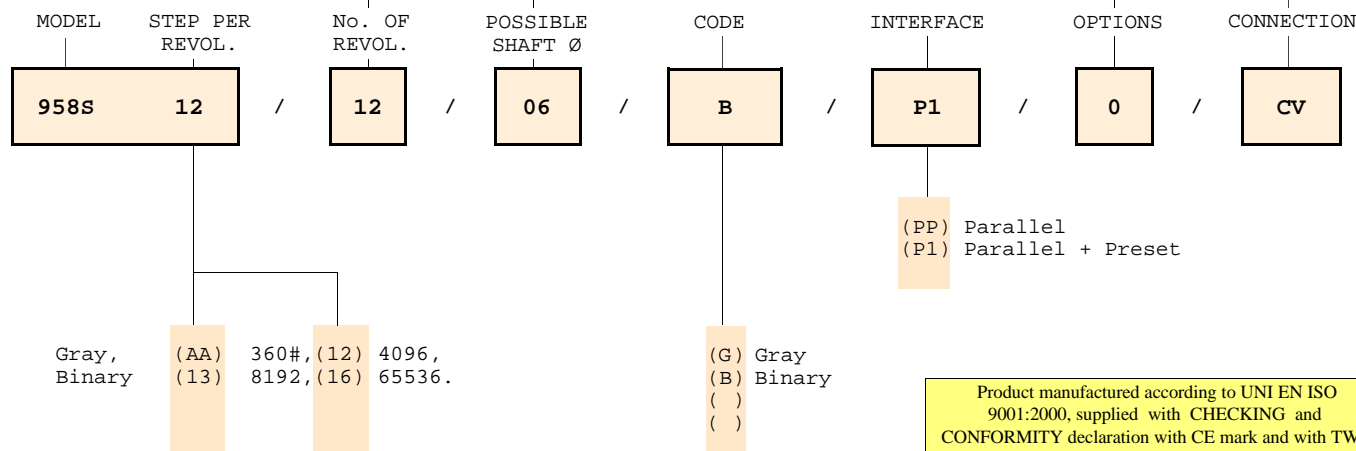
ELCIS s.r.l. Via Rosa Luxembourg 12/14 10093 COLLEGNO (TO) ITALY  
Phone: +39 011 715577/78 r.a.  
MAIL: ELCIS s.r.l. P.O.Box 90 10093 COLLEGNO (TO) ITALY

\* <http://www.elcis.com>  
\* e-mail: [info@elcis.com](mailto:info@elcis.com)  
\* Fax: +39 011 712613

OUTPUT ELECTRONIC	INTERFACE	OPTIONS
» Push-pull 20 mA 	» (PP) Parallel The angular value is present on the output connector in a "parallel" form. The number of conductors is proportional to the resolution and to the type of selected code.	» -
»	» (P1) Parallel + Preset Like (PP), but with a preset function.	»
»		»

### ORDERING INFORMATION

( 00 ) 1(Singlet.)	( 06 ) Ø 6 (standard)	( Q ) All stainl. steel	( CV ) 1m cable ax.max 25 bits IP65
( 04 ) 16	( 10 ) Ø 10	( X ) Customer options	( CVR ) 1m cable rad.max 25bits IP65
( 08 ) 256	( )	( W ) Sealed ball bear.	( F1 ) Ax. conn. up to 13 bits IP65
( 12 ) 4096	( )	( )	( F2 ) Ax. conn. 14 ÷ 21 bits IP65
	( )	( 0 ) Standard	( F1R ) Rad.conn. up to 13 bits IP65
	( )		( F2R ) Rad. conn. 14 ÷ 21 bits IP65
	( )		( )
	( )		( )
	( )		( )



(#) Only Singleturn.

Product manufactured according to UNI EN ISO 9001:2000, supplied with CHECKING and CONFORMITY declaration with CE mark and with TWO (2) YEARS WARRANTY starting from delivery date.



ELCIS s.r.l. Via Rosa Luxembourg 12/14 10093 COLLEGNO (TO) ITALY  
 Phone: +39 011 715577/78 r.a.  
 MAIL: ELCIS s.r.l. P.O.Box 90 10093 COLLEGNO (TO) ITALY

\* <http://www.elcis.com>  
 \* e-mail: [info@elcis.com](mailto:info@elcis.com)  
 \* Fax: +39 011 712613