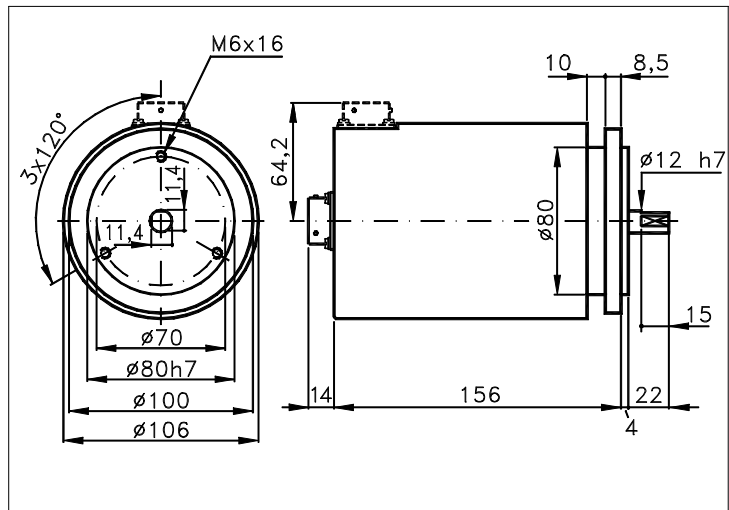


**ABSOLUTE  
MULTITURN  
ENCODER  
MM100**

Absolute multiturn encoder with mounting flange Ø 100, in an extremely sturdy container fit for heavy industrial appliances. 'Servo-mount' fixing.  
IP64 protection with CM6 connector.

Absolute multiturn  
page: 04.MM100 1/2  
data sheet IM007 E00

Measures without tolerance according to UNI ISO 2768-mk



**TECHNICAL FEATURES AND POSSIBLE CONFIGURATIONS**

- **Output codes**.....: Gray, Binary, BCD
- **Max resolut.** Gray, Bin.: 2<sup>24</sup> on 4096 rev.  
BCD : 10<sup>6</sup> on 1000 rev.
- **Pulses/rev.** Gray, Bin.: 16, 32, 64, 128, 256, 512, 1024, 2048, 4096. (\*)
- BCD : 10, 100, 500, 1000. (\*)
- **No. of rev.** Gray, Bin.: 16, 256, 4096.
- BCD : 10, 100, 1000.
- **Power supply .VDC**.....: 5 V±5%, 8÷24 V, 18÷28 V
- **Max consumption**.....: 200÷500 mA accord. to bits (\*)
- **Light source**.....: LED with >= 100000 h life
- **Optical sensors**.....: Phototransistors
- **Max operating freq**....: 50 kHz (\*)
- **Operating temperature**..: 0 ÷ +70 °C (\*)
- **Storage temperature**....: -30 ÷ +85 °C (\*)
- **Up/down commutation**...: Ok
- **Output stages**.....: (-) NPN open coll.10mA(std)  
(KK) NPN open coll.70mA + PTC  
(KP) NPN open emitt.70mA+ PTC  
(B) Push-pull 70mA + PTC
- **Pre-output interface**..: (-) Parallel (standard)  
(S) Serial SSI (\*)
- **Electronic options**....: (F)Led zero (\*)  
(for parallel interf.) (L)Latch (2) (\*)  
(M)Multiplexer (2) (\*)
- **Connections**Radial (R): CDH CM6 SM6 CL  
Axial ( ) SL CH (\*)  
For the description of connections see 'ORDERING CODE' on page 2
- **Base**.....: Anodized aluminium (\*)
- **Cover**.....: Anodized aluminium (\*)
- **Weight**.....: 2500 g
- **Shaft**.....: Stainless steel (\*)
- **Max rad/axial load**....: 10 Kg
- **IP output side**.....: see 'CONNECTIONS' on page 2
- **IP lato albero**.....: std.64 sealed 65 low torq.-
- **Contin. max RPM**...(\*\*): 4000 2000 -
- **Starting torque gcm**...: 50 90 -
- **Impact resistance**.....: 50 G (11 ms)
- **Vibration resistance**...: 12 G (10 ÷ 2000 Hz)
- **Ball bearings life**....: 1,5x10<sup>9</sup> rev. (@ 1000 rev./m with load of 1/4 maximum allowed)
- **Burn-in @ +75 °C**.....: 72 h (\*)

**POSSIBLE OPTIONS**

CODE	DESCRIPTION	CODE	DESCRIPTION	CODE	DESCRIPTION
A	High temperature	X	Custom options	G	Tropicalization
L	Low temperature	H	Different shaft Ø	Z	Seal.ball bearings
Y	Unbreakable disk	P	Compressed air attack		



ELCIS s.r.l. Via Rosa Luxembourg 12/14 10093 COLLEGNO (TO) ITALY  
Phone: +39 011 715577/78 r.a.  
MAIL: ELCIS s.r.l. P.O.Box 90 10093 COLLEGNO (TO) ITALY

\* <http://www.elcis.com>  
\* e-mail: [info@elcis.com](mailto:info@elcis.com)  
\* Fax: +39 011 712613

