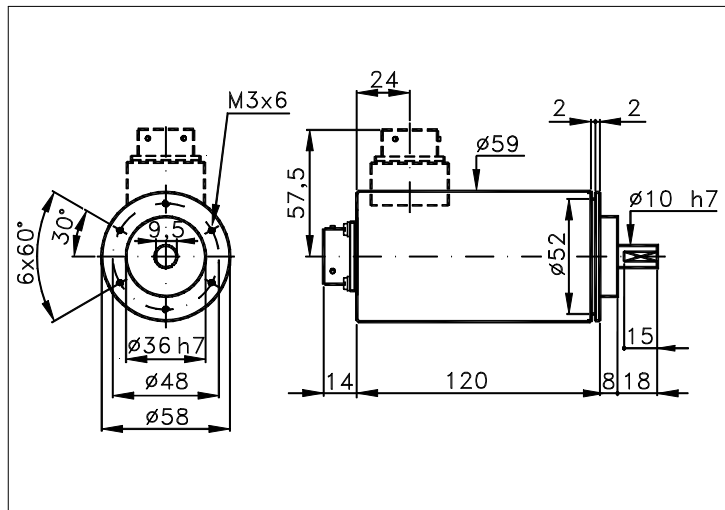


**ABSOLUTE  
MULTITURN  
ENCODER  
MM58H**

Absolute multiturn encoder with mounting flange Ø 58, in an extremely sturdy, oil/dust/moisture proof container, fit for industrial appliances.  
'Servo-mount' installation or with frontal screws.

Absolute multiturn  
page: 04.MM 58H 1/2  
data sheet IM001 E00

Measures without tolerance according to UNI ISO 2768-mk



**TECHNICAL FEATURES AND POSSIBLE CONFIGURATIONS**

- Output codes.....: Gray, Binary
- Max resolut. Gray, Bin.: 2<sup>24</sup> on 4096 rev.
- Pulses/rev. Gray, Bin.: 16, 32, 64, 128, 256, 512, 1024, 2048, 4096.
- No. of rev. Gray, Bin.: 16, 256, 4096.
- Power supply .VDC.....: 5 V±5%, 8÷24 V, 18÷28 V
- Max consumption.....: 200÷400 mA accord. to bits
- Light source.....: LED with >= 100000 h life
- Optical sensors.....: Phototransistors
- Max operating freq.....: 50 kHz
- Operating temperature.: 0 ÷ +70 °C
- Storage temperature....: -30 ÷ +85 °C
- Up/down commutation...: Ok
- Output stages.....: (KK) NPN open coll.70mA + PTC (KP) NPN open emitt.70mA+ PTC
- Pre-output interface..: (-) Parallel (standard) (S) Serial SSI
- Electronic options....: (for parallel interf.) (L)Latch
- Connections Radial (R): CM6 SM6 CL Axial ( ) SL CH (\*)
- For the description of connections see 'ORDERING CODE' on page 2
- Base.....: Anodized aluminium (\*)
- Cover.....: Anodized aluminium (\*)
- Weight.....: 580 g
- Shaft.....: Stainless steel (\*)
- Max rad/axial load.....: 3 Kg
- IP output side.....: see 'CONNECTIONS' on page 2
- IP lato albero.....: std.64 sealed 65 low torq 53
- Contin. max RPM...(\*\*): 4000 2000 5000
- Starting torque gcm...: 30 60 20
- Impact resistance.....: 50 G (11 ms)
- Vibration resistance...: 12 G (10 ÷ 2000 Hz)
- Ball bearings life.....: 1,5x10<sup>9</sup> rev. (@ 1000 rev./m with load of 1/4 maximum allowed)
- Burn-in @ +75 °C.....: 72 h (\*)
- (\*) Custom options
- (\*\*) Intermittent max RPM + 30% of continuous max RPM
- (1) Only for Gray code
- (2) Standard for Binary code

**POSSIBLE OPTIONS**

CODE	DESCRIPTION	CODE	DESCRIPTION	CODE	DESCRIPTION
A	High temperature	X	Custom options	G	Tropicalization
L	Low temperature	H	Different shaft Ø	Z	Seal.ball bearings
Y	Unbreakable disk	P	Compressed air attack		



ELCIS s.r.l. Via Rosa Luxembourg 12/14 10093 COLLEGNO (TO) ITALY  
Phone: +39 011 715577/78 r.a.  
MAIL: ELCIS s.r.l. P.O.Box 90 10093 COLLEGNO (TO) ITALY

\* <http://www.elcis.com>  
\* e-mail: [info@elcis.com](mailto:info@elcis.com)  
\* Fax: +39 011 712613

OUTPUT STAGES	INTERFACE	PARALLEL OPTIONS
<p>» (KK) NPN open coll.70mA + PTC</p>	<p>» (-) Parallel (standard)</p> <p>The angular value is present on the output connector in a 'parallel' form. The number of conductors is proportional to the resolution and the type of selected code. Any electronic output stage can be applied.</p>	<p>» (L) Latch</p> <p>When Latch input is set to 0 Vdc the outputs at Gray code disc level are 'frozen'; in such a way detections are carried out in stable conditions. For this reason Latch input is standard for Binary and BCD codes.</p>
<p>» (KP) NPN open emitt.70mA+ PTC</p>	<p>» (S) Serial SSI</p> <p>The data output (available only with Gray or Excess code) is controlled by an external clock. The angular position's value is first stored into the encoder and then transmitted outside starting from the MSB. The standard of transmission is RS422.</p>	<p>»</p>

### ORDERING CODE

<p>Possible shaft Ø</p> <p>( n ) Ø n upon req  ( 8 ) 8  ( 952 ) Ø 9,52  ( 10 ) Ø 10  ( 11 ) Ø 11  ( )</p>	<p>(1) 16 (Gray/Bin)  (2) 256 (Gray/Bin)  (3) 4096 (Gray/Bin)</p>	<p>( )  ( CM6 ) Conn.32 pin PT02A18-32P IP65  ( SM6 ) Conn.32 pin PT02E18-32P IP66  ( )  ( )  ( CL ) Conn.10 pin MS310A18-1P IP65  ( SL ) Conn.10 pin MS310R18-1P IP66  ( CH ) Conn. 12 pin Eml 121 IP67  ( )</p>
<p>MODEL</p> <p><b>A MM58H</b></p>	<p>CODE</p> <p><b>G</b></p>	<p>STEP PER REVOLUTION</p> <p><b>256</b></p>
<p>No OF REVOL.</p> <p><b>2</b></p>	<p>POWER SUPPLY</p> <p><b>5</b></p>	<p>OUTPUT STAGES</p> <p><b>KK</b></p>
<p>OPTIONS</p> <p>(A) High temperature  (L) Low temperature  (Y) Unbreakable disk  (X) Custom options  (H) Different shaft Ø  (P) Compressed air attack  (G) Tropicalization  (Z) Seal.ball bearings  ( )</p>	<p>INTERFACE</p> <p><b>- L</b></p> <p>OPTIONS parallel interface  (L) Latch</p>	<p>CONNECT.</p> <p><b>CM6</b></p> <p>Axial ( )  Radial (R)</p>
<p>[*] Other resolutions on Customer's requirement</p>	<p>only for parallel interface</p> <p>(G) Gray  (B) Binary  (KK) NPN open coll.70mA + PTC  (KP) NPN open emitt.70mA+ PTC  ( )  ( )</p> <p>Gray, Bin. 16, 32, 64, 128, 256, 512, 1024, 2048, 4096.</p>	<p>OUTPUT</p> <p><b>R</b></p>

Product manufactured according to ISO UNI EN 9001, supplied with CHECKING and CONFORMITY declaration with CE mark and with TWO (2) YEARS WARRANTY starting from delivery date.

COPYRIGHT by ELCIS - Collegno (TO)