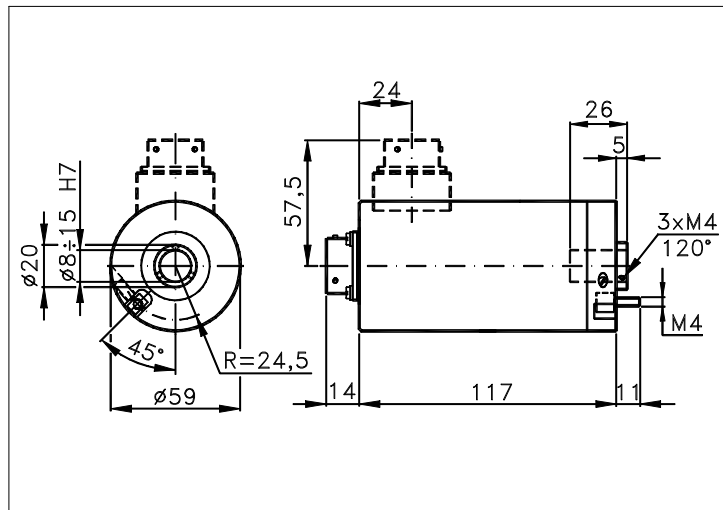


Measures without tolerance according to UNI ISO 2768-mk



TECHNICAL FEATURES AND POSSIBLE CONFIGURATIONS

- Output codes.....: Gray, Binary
- Max resolut. Gray, Bin.: 2²⁴ on 4096 rev.
- Pulses/rev. Gray, Bin.: 16, 32, 64, 128, 256, 512, 1024, 2048, 4096.
- No. of rev. Gray, Bin.: 16, 256, 4096.
- Power supply .VDC.....: 5 V±5%, 8÷24 V, 18÷28 V
- Max consumption.....: 200÷400 mA accord. to bits
- Light source.....: LED with >= 100000 h life
- Optical sensors.....: Phototransistors
- Max operating freq.....: 50 kHz
- Operating temperature.: 0 ÷ +70 °C
- Storage temperature...: -30 ÷ +85 °C
- Up/down commutation...: Ok
- Output stages.....: (KK) NPN open coll.70mA + PTC (KP) NPN open emitt.70mA+ PTC
- Pre-output interface..: (-) Parallel (standard) (S) Serial SSI
- Electronic options....: (for parallel interf.) (L)Latch
- Connections Radial (R): CM6 SM6 CL Axial () SL CH (*)
- For the description of connections see 'ORDERING CODE' on page 2
- Base.....: Anodized aluminium (*)
- Cover.....: Anodized aluminium (*)
- Weight.....: 570 g
- Shaft.....: (*)
- Max rad/axial load....: 6 Kg
- IP output side.....: see 'CONNECTIONS' on page 2
- IP lato albero.....: std.64 sealed 65 low torq53
- Contin. max RPM...(**): 4000 3000 5000
- Starting torque gcm...: 40 70 25
- Impact resistance.....: 50 G (11 ms)
- Vibration resistance...: 12 G (10 ÷ 2000 Hz)
- Ball bearings life.....: 1,5x10⁹ rev. (@ 1000 rev./m with load of 1/4 maximum allowed)
- Burn-in @ +75 °C.....: 72 h (*)
- (1) (*) Custom options
- (**) Intermittent max RPM + 30% of continuous max RPM
- (1) Only for Gray code
- (2) Standard for Binary code

POSSIBLE OPTIONS

CODE	DESCRIPTION	CODE	DESCRIPTION	CODE	DESCRIPTION
A	High temperature	X	Custom options	G	Tropicalization
L	Low temperature			Z	Seal.ball bearings
Y	Unbreakable disk	P	Compressed air attack		



ELCIS s.r.l. Via Rosa Luxembourg 12/14 10093 COLLEGNO (TO) ITALY
Phone: +39 011 715577/78 r.a.
MAIL: ELCIS s.r.l. P.O.Box 90 10093 COLLEGNO (TO) ITALY

* <http://www.elcis.com>
* e-mail: info@elcis.com
* Fax: +39 011 712613

