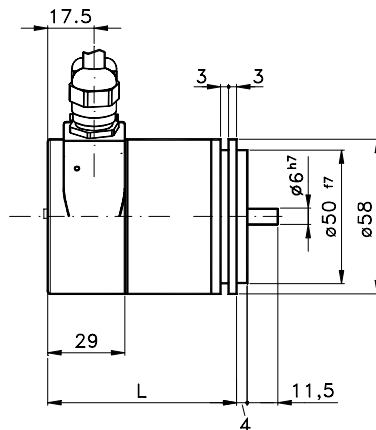
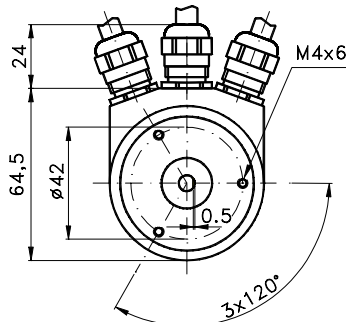


**ABSOLUTE
ENCODER
WITH FIELD BUS
758SP**

Compact absolute encoder with 'Size 23' flange and sturdy housing.
PROFIBUS-DP interface. 'Servo-mount' installation by means of claws or
frontal screws. High resolution and very good quality/price ratio..

Family: **A**
pag.: 07.758SP 1/2
data sheet: IB 034 X00



* 82 Singleturn, 97 Multiturn

Measures without tolerance acc. to UNI ISO 2768-mk

TECHNICAL FEATURES AND POSSIBLE CONFIGURATIONS

- Output codes.....: Binary
- Max resolution.....: 8192x4096
- No. of rev.....: 4096
- Accuracy.....: ± 0.05°
- Max count. frequency..: 100 kHz
- Power supply Vcc.....: 10÷30 Vcc
- Power consumption.....: 2,5 W
- Output interface.....: (DP) Profibus-DP Class2
- Baudrate.....: 12 Mbit/sec.max
- Progr. address.....: by Dip Switch
- Protection.....: inversion of polarity
short-circuit
- EMC.....: EN 61000-6-2, EN 61000-6-4
- Sensor.: Optical and Magnetic
- Diagnostic indicators.: 2 LED
- Connection: Connection cap with PG outlet
Connection cap with M12 plugs

- Operating temperature.: -25 ÷ +85 °C
- Storage temperature....: -40 ÷ +100 °C
- Humidity.....: 98% (without condensation)
- Housing.....: Aluminium (*)
- Weight.....: 350g
- Shaft.....: Stainless steel
- Max radial/axial load.: 40 N
- IP output side.....: IP65
- IP shaft side.....: IP65
- Contin. max RPM.....: 6000
- Starting torque..gcm.: 50
- Impact resistance.....: 250 G (11ms)
- Vibrations resistance.: 10 G (10 ÷ 1000 Hz)
- Bearings life: >10⁵ h at 1000 RPM

(*) Custom options

POSSIBLE OPTIONS

COD.	DESCRIPTION	COD.	DESCRIPTION	COD.	DESCRIPTION
				X	Custom options



ELCIS encoder s.r.l. Via Rosa Luxembourg 12/14 10093 COLLEGNO (TO) ITALY
Phone: +39 011 715577/78 r.a.
Mail: ELCIS encoder s.r.l. P.O.Box 70 10093 COLLEGNO (TO) ITALY

* <http://www.elcis.com>
* e-mail: info@elcis.com
* Fax: +39 011 712613

INTERFACE	CONNECTIONS
-----------	-------------

» (DP) Profibus-DP Class2

» Internal/external view connection cap 3PG with 2 LED

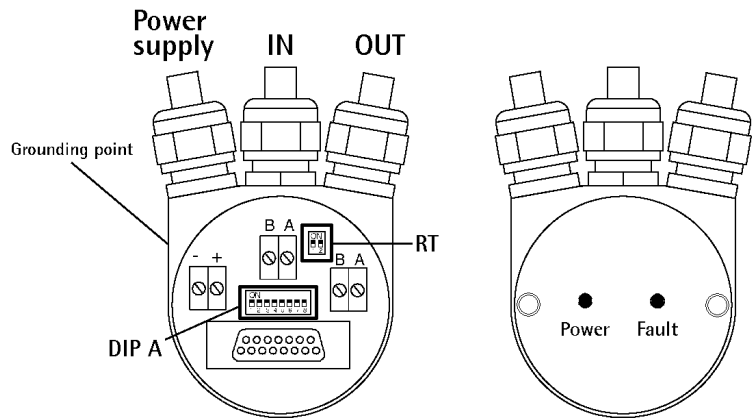
Programmable parameter:

- . Counting direction
- . Scaling factor
- . Preset value
- . Offset value

»

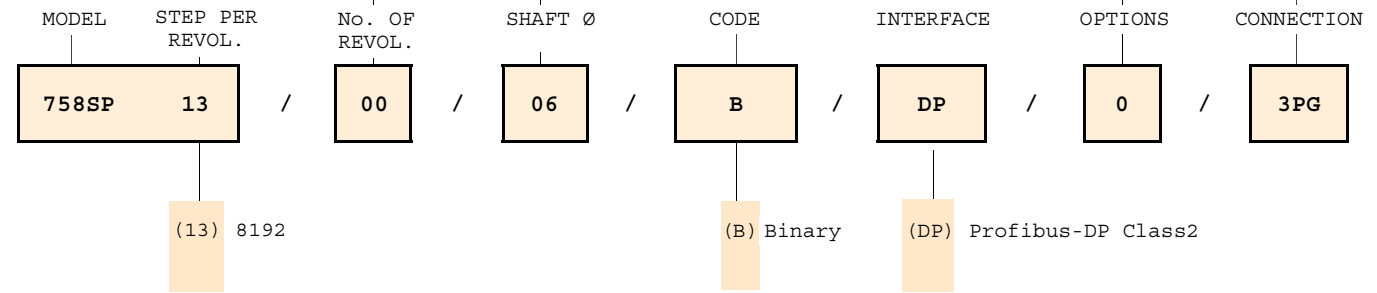
»

»



ORDERING INFORMATION							
----------------------	--	--	--	--	--	--	--

(00) 1 (12) 4096	(06) Ø 6 (standard) (10) Ø 10 ()	(0) Standard (X) Custom options	(3PG) Cap with 3 PG (PRM) Cap with 3 M12 plugs ()				
-------------------------	---	------------------------------------	--	--	--	--	--



Product manufactured according to UNI EN ISO 9001:2000, supplied with CHECKING and CONFORMITY declaration with CE mark and with TWO (2) YEARS WARRANTY starting from delivery date.

	ELCIS encoder s.r.l. Via Rosa Luxembourg 12/14 10093 COLLEGNO (TO) ITALY Phone: +39 011 715577/78 r.a. Mail: ELCIS encoder s.r.l. P.O.Box 70 10093 COLLEGNO (TO) ITALY	* http://www.elcis.com * e-mail: info@elcis.com * Fax: +39 011 712613
--	--	--

COPYRIGHT by ELCIS - Collegno (TO)