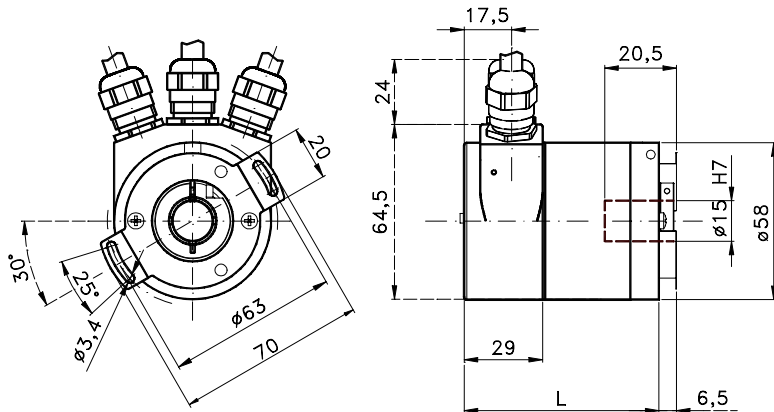
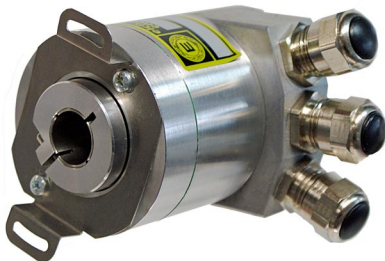


**ABSOLUTE  
ENCODER  
WITH FIELD BUS  
759CP**

Compact and sturdy absolute encoder with hollow shaft and incorporated spring, PROFIBUS-DP interface. High resolution and very good quality/price ratio.

Family: **A**  
pag.: 07.759CP 1/2  
data sheet: IB 041 X00



\* 82 Singleturn, 97 Multiturn

Measures without tolerance acc. to UNI ISO 2768-mk

**TECHNICAL FEATURES AND POSSIBLE CONFIGURATIONS**

- Output codes.....: Binary
- Max resolution.....: 8192x4096
- No. of rev.....: 4096
- Accuracy.....: ± 0.05°
- Max count. frequency..: 100 kHz
- Power supply Vcc.....: 10+30 Vcc
- Power consumption.....: 2,5 W
- Output interface.....: (DP) Profibus-DP Class2
- Baudrate.....: 12 Mbit/sec.max
- Progr. address.....: by Dip Switch
- Protection.....: inversion of polarity  
short-circuit
- EMC.....: EN 61000-6-2, EN 61000-6-4
- Sensor. ....: Optical and Magnetic
- Diagnostic indicators.: 2 LED
- Connection .....: Connection cap with PG outlet  
Connection cap with M12 plugs

- Operating temperature.: -25 ÷ +85 °C
- Storage temperature....: -40 ÷ +100 °C
- Humidity.....: 98% (without condensation)
- Housing.....: Aluminium (\*)
- Weight.....: 350g
- Shaft.....: Stainless steel
- Max radial/axial load.: 40 N
- IP output side.....: IP65
- IP shaft side.....: IP65
- Contin. max RPM.....: 6000
- Starting torque..gcm.: 50
- Impact resistance.....: 250 G (11ms)
- Vibrations resistance.: 10 G (10 ÷ 1000 Hz)
- Bearings life .....: >10<sup>5</sup> h at 1000 RPM

(\*) Custom options

**POSSIBLE OPTIONS**

COD.	DESCRIPTION	COD.	DESCRIPTION	COD.	DESCRIPTION
				X	Custom options



ELCIS encoder s.r.l. Via Rosa Luxembourg 12/14 10093 COLLEGNO (TO) ITALY  
Phone: +39 011 715577/78 r.a.  
Mail: ELCIS encoder s.r.l. P.O.Box 70 10093 COLLEGNO (TO) ITALY

\* <http://www.elcis.com>  
\* e-mail: [info@elcis.com](mailto:info@elcis.com)  
\* Fax: +39 011 712613

INTERFACE	CONNECTIONS
-----------	-------------

» (DP) Profibus-DP Class2

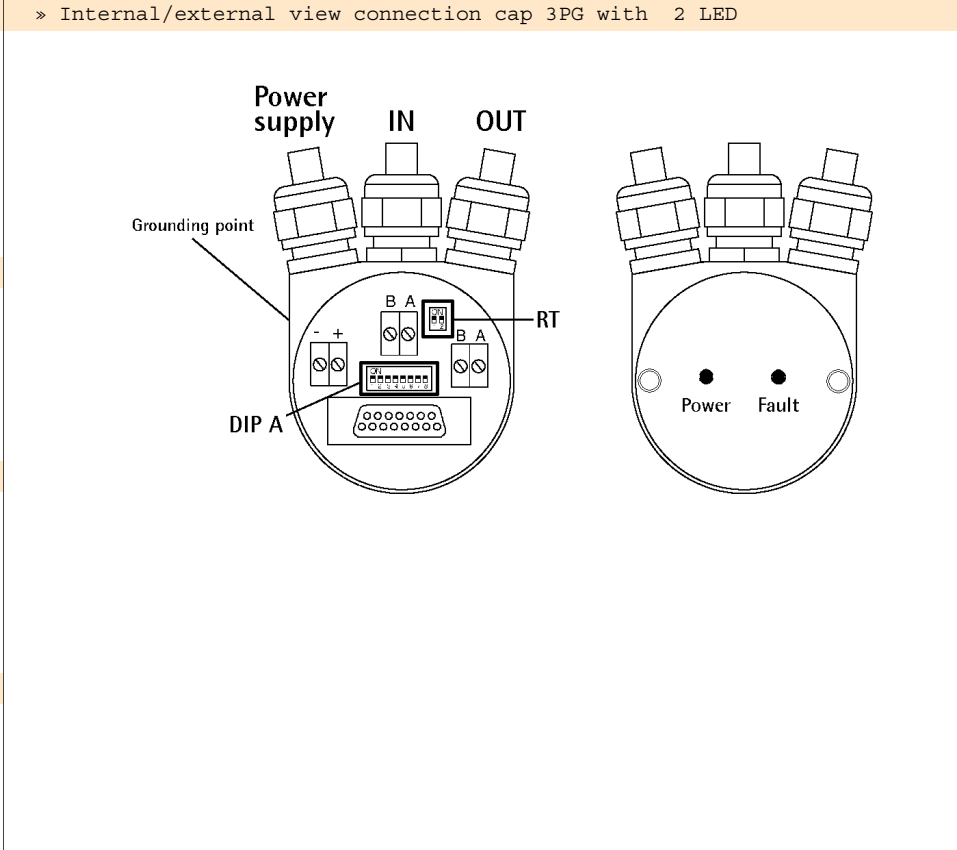
Programmable parameter:

- . Counting direction
- . Scaling factor
- . Preset value
- . Offset value

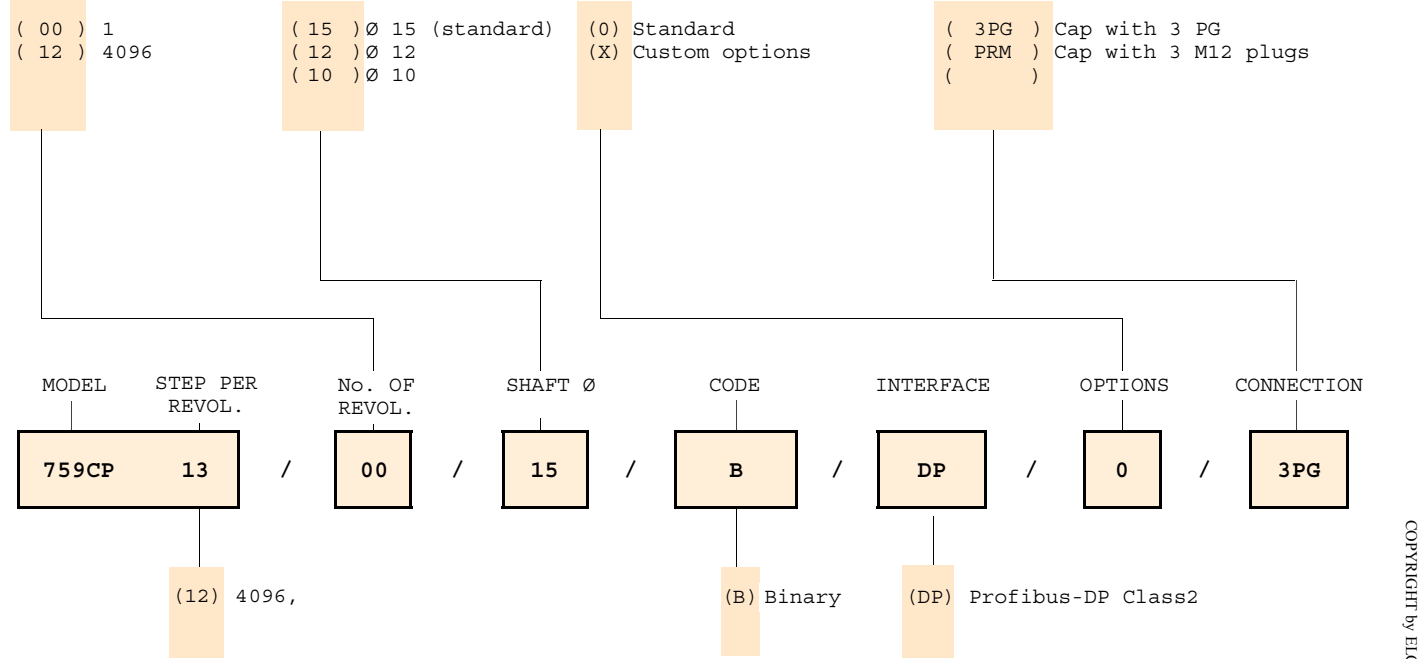
»

»

»



ORDERING INFORMATION							
----------------------	--	--	--	--	--	--	--



Product manufactured according to UNI EN ISO 9001:2000, supplied with CHECKING and CONFORMITY declaration with CE mark and with TWO (2) YEARS WARRANTY starting from delivery date.

	<p>ELCIS encoder s.r.l. Via Rosa Luxembourg 12/14 10093 COLLEGNO (TO) ITALY          Phone: +39 011 715577/78 r.a.          Mail: ELCIS encoder s.r.l. P.O.Box 70 10093 COLLEGNO (TO) ITALY</p>	<p>* <a href="http://www.elcis.com">http://www.elcis.com</a>          * e-mail: <a href="mailto:info@elcis.com">info@elcis.com</a>          * Fax: +39 011 712613</p>
--	---	---

COPYRIGHT by ELCIS - Collegno (TO)