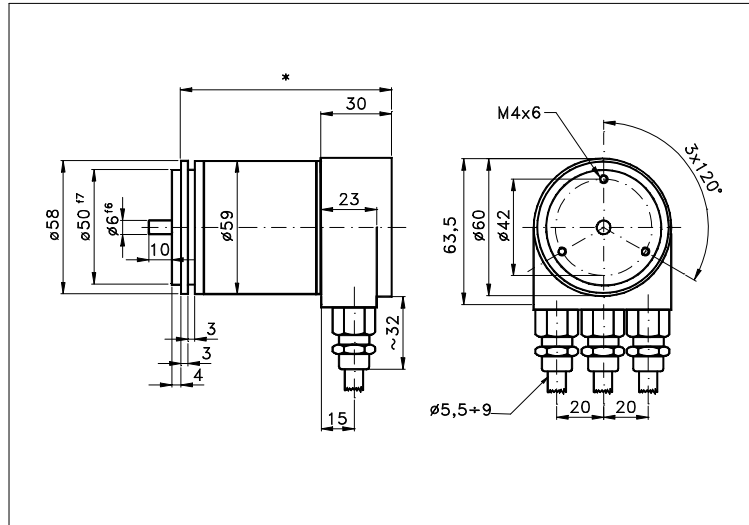


**ABSOLUTE
ENCODER
WITH FIELD BUS
958SP**

Compact absolute encoder with 'Size 23' flange and sturdy housing.
PROFIBUS-DP interface. 'Servo-mount' installation by means of claws or
frontal screws. High resolution and very good quality/price ratio.

Absolute with field bus
page: 07.958SP 1/2
data sheet IB 034 E00

Measures without tolerance acc. to UNI ISO 2768-mk



* 82 Singleturn, 92 Multiturn

TECHNICAL FEATURES AND POSSIBLE CONFIGURATIONS

- Outout codes.....: Binary
- Max resolut.....: 16 bit/1 rev.
: 30 bit/16384 rev.
- Pulses/rev.....: (12) 4096, (13) 8192,
(14) 16384, (15) 32768,
(16) 65536.
- No. of rev.....: 1, 4096, 16384.
:
- Power supply Vcc.....: 10÷30 VDC
- Max consumption.....: 2,5 W
- Light source.....: LED with ≥ 100000 h life
- Optical sensors.....: IR photodiodes array
- Step frequency LSB.....: 800 kHz
- Operating temperature..: -40 ÷ +85 °C
- Storage temperature...: -40 ÷ +85 °C
- Humidity.....: 98% (without liquid state)
- Bus connection.....: Line driver (acc. to RS485)
- Status indic. with 2 LEDs
- Accuracy of divisions..: $\pm \frac{1}{2}$ LSB (<13bit), ± 2 LSB (13÷16bit)
- Output interface.....: (DP) Profibus-DP Class2

- Connections : For the codes and the descriptions of connectors see 'ORDERING CODE' on page 2.
- Housing.....: Aluminium (*)
- Weight.....: singlet.550g ,multit. 600 g
- Shaft.....: Stainless steel
- Max radial/axial load.: 40/110 N
- IP output side.....: see 'CONNECTIONS' on page 2
- IP shaft side.....: std.64 | sealed 66
- Contin. max RPM...(**): 6000 | 3000
- Starting torque..gcm.: 50 | 90
- Impact resistance.....: 30 G (11 ms)
- Vibration resistance...: 10 G (10 ÷ 1000 Hz)
- Ball bearings life.....: $>10^5$ h @ 1000 rev./m
- 400x10⁶ write cycles
- Polarity inversion protect.
- Over voltage peak protect.
- Disc made of unbreakable and durable plastic.
- EMC certific. according to EN 61000-6-2, EN 61000-6-4
- Max transmis. rate 12 MBaud
- Address progr. with selectin the junction terminal.

(*) Custom options.

(**) Intermittent max RPM + 30% of continuous max RPM.

POSSIBLE OPTIONS

CODE	DESCRIPTION	CODE	DESCRIPTION	CODE	DESCRIPTION
Q	All stainl. steel	W	Sealed ball bear.	X	Customer options



ELCIS s.r.l. Via Rosa Luxembourg 12/14 10093 COLLEGNO (TO) ITALY
Phone: +39 011 715577/78 r.a.
MAIL: ELCIS s.r.l. P.O.Box 90 10093 COLLEGNO (TO) ITALY

* <http://www.elcis.com>
* e-mail: info@elcis.com
* Fax: +39 011 712613

