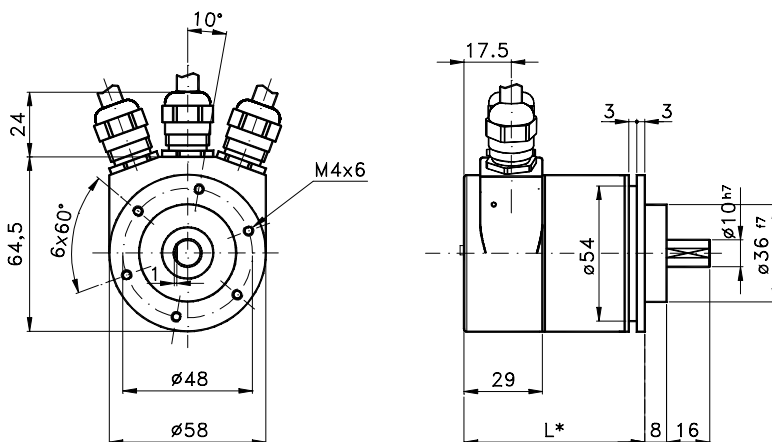


**ABSOLUTE  
ENCODER  
WITH FIELD BUS  
758HC**

Compact absolute encoder for industrial environments. CANopen interface.  
Installation by means of clamping flange or frontal screws.  
High resolution and very good quality/price ratio.

Family: **A**  
pag.: 08.758HC 1/2  
data sheet: IB 023 X00



\* 82 Singleturn, 97 Multiturn

Measures without tolerance acc. to UNI ISO 2768-mk

**TECHNICAL FEATURES AND POSSIBLE CONFIGURATIONS**

- |   |  |
|---|--|
| <ul style="list-style-type: none"> <li>- Output codes.....: Binary</li> <li>- Max resolution.....: 8192x4096</li> <li>- No. of rev.....: 4096</li> <li>- Accuracy.....: ± 0.05°</li> <li>- Max count. frequency..: 100 kHz</li> <li>- Power supply Vcc.....: 10÷30 Vcc</li> <li>- Max consumption.....: 2,5 W</li> <li>- Output interface.....: CANopen DS301,DS406 Class2</li> <li>- Baudrate.....: 12 Mbit/sec.max</li> <li>- Progr. address.....: by Dip Switch</li> <li>- Protection.....: inversion of polarity<br/>short-circuit</li> <li>- EMC.....: EN 61000-6-2,EN 61000-6-4</li> <li>- Sensor. ....: Optical and Magnetic</li> <li>- Diagnostic indicators..: 2 LED</li> <li>- Connection .....: Connection cap with PG outlet<br/>Connection cap with M12 plugs</li> </ul> | <ul style="list-style-type: none"> <li>- Operating temperature..: -25 ÷ +85 °C</li> <li>- Storage temperature....: -40 ÷ +100 °C</li> <li>- Humidity.....: 98% (without condensation)</li> <li>- Housing.....: Aluminium (*)</li> <li>- Weight.....: 350g</li> <li>- Shaft.....: Stainless steel</li> <li>- Max radial/axial load..: 40 N</li> <li>- IP output side.....: IP65</li> <li>- IP shaft side.....: IP65</li> <li>- Contin. max RPM.....: 6000</li> <li>- Starting torque..gcm..: 50</li> <li>- Impact resistance.....: 250 G (11ms)</li> <li>- Vibrations resistance..: 10 G (10 ÷ 1000 Hz)</li> <li>- Bearings life .....: &gt;10<sup>5</sup> h at 1000 RPM</li> </ul> |
|---|--|

(\*) Custom options

**POSSIBLE OPTIONS**

COD.	DESCRIPTION	COD.	DESCRIPTION	COD.	DESCRIPTION
				X	Custom options



ELCIS encoder s.r.l. Via Rosa Luxembourg 12/14 10093 COLLEGNO (TO) ITALY  
Phone: +39 011 715577/78 r.a.  
Mail: ELCIS encoder s.r.l. P.O.Box 70 10093 COLLEGNO (TO) ITALY

\* <http://www.elcis.com>  
\* e-mail: [info@elcis.com](mailto:info@elcis.com)  
\* Fax: +39 011 712613

INTERFACE	CONNECTIONS
-----------	-------------

» CANopen DS301,DS406 Class2

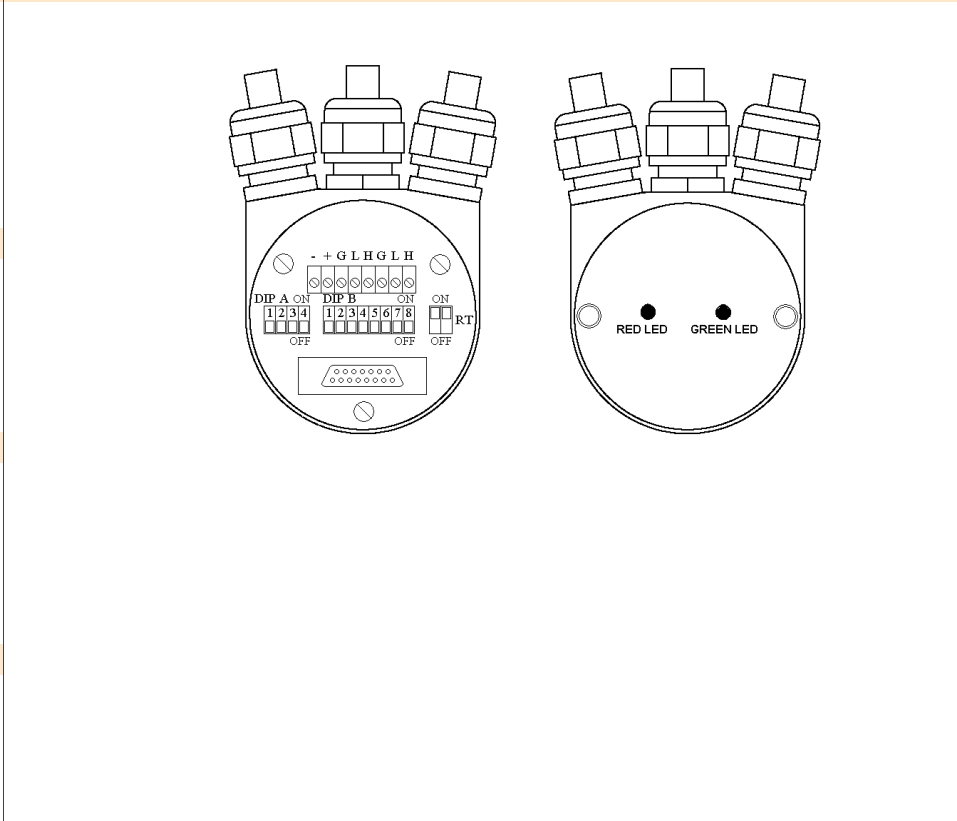
Programmable parameter:

- . Counting direction
- . Scaling factor
- . Preset value
- . Offset value

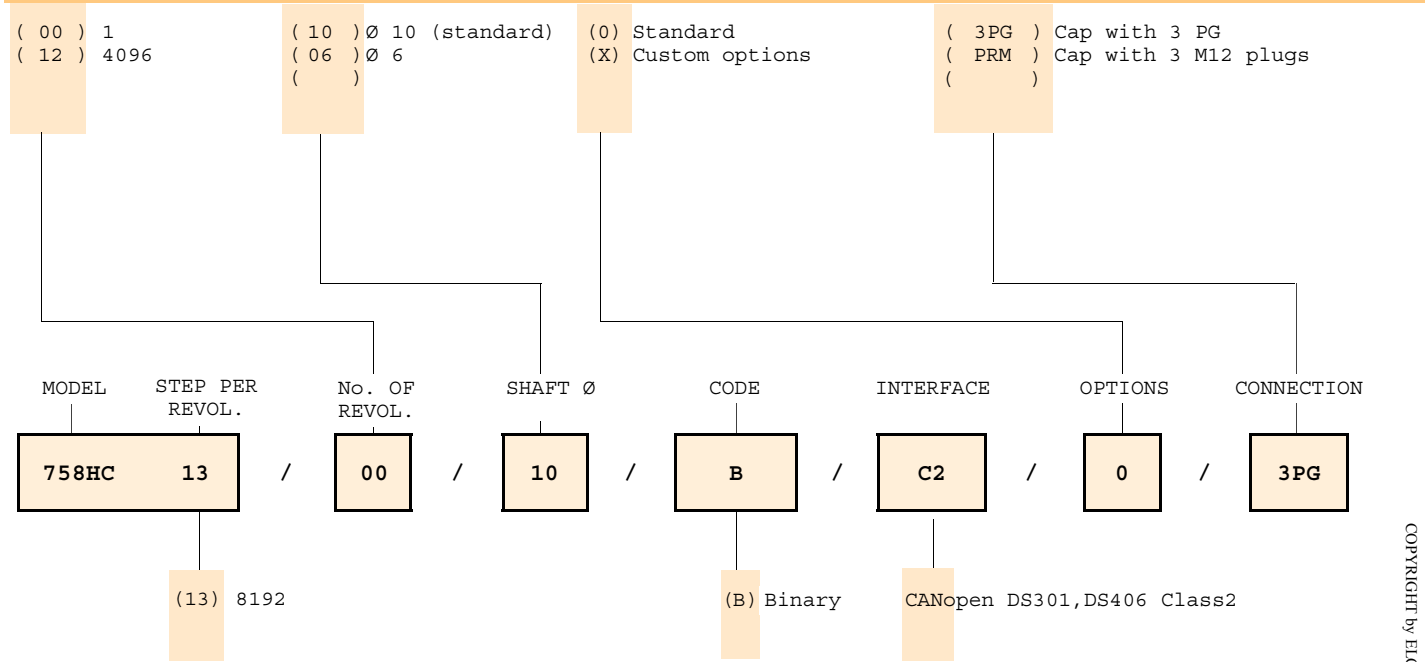
»

»

»



ORDERING INFORMATION							
----------------------	--	--	--	--	--	--	--



Product manufactured according to UNI EN ISO 9001:2000, supplied with CHECKING and CONFORMITY declaration with CE mark and with TWO (2) YEARS WARRANTY starting from delivery date.

	<p>ELCIS encoder s.r.l. Via Rosa Luxembourg 12/14 10093 COLLEGNO (TO) ITALY          Phone: +39 011 715577/78 r.a.          Mail: ELCIS encoder s.r.l. P.O.Box 70 10093 COLLEGNO (TO) ITALY</p>	<p>* <a href="http://www.elcis.com">http://www.elcis.com</a>          * e-mail: <a href="mailto:info@elcis.com">info@elcis.com</a>          * Fax: +39 011 712613</p>
--	---	---

COPYRIGHT by ELCIS - Collegno (TO)