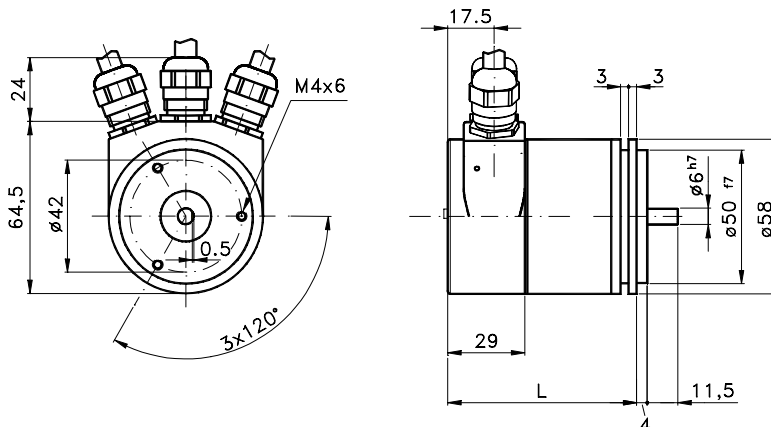


**ABSOLUTE
ENCODER
WITH FIELD BUS
758SD**

Compact absolute encoder with 'Size 23' flange and sturdy housing.
DeviceNet interface. 'Servo-mount' installation by means of claws or frontal
screws. High resolution and very good quality/price ratio.

Family: **A**
pag.: 08.758SD 1/2
data sheet: IB 030 X00

DeviceNet™



* 82 Singleturn, 97 Multiturn

Measures without tolerance acc. to UNI ISO 2768-mk

TECHNICAL FEATURES AND POSSIBLE CONFIGURATIONS

- Output codes.....: Binary
- Max resolution.....: 8192x4096
- No. of rev.....: 4096
- Accuracy.....: ± 0.05°
- Max count. frequency..: 100 kHz
- Power supply Vcc.....: 10÷30 Vcc
- Max consumption.....: 2,5 W
- Output interface.....: DeviceNet
- Baudrate.....: 12 Mbit/sec.max
- Progr. address.....: by Dip Switch
- Protection.....: inversion of polarity
short-circuit
- EMC.....: EN 61000-6-2, EN 61000-6-4
- Sensor.: Optical and Magnetic
- Diagnostic indicators..: 2 LED
- Connection: Connection cap with PG outlet
Connection cap with M12 plugs
- Operating temperature..: -25 ÷ +85 °C
- Storage temperature....: -40 ÷ +100 °C
- Humidity.....: 98% (without condensation)
- Housing.....: Aluminium (*)
- Weight.....: 350g
- Shaft.....: Stainless steel
- Max radial/axial load..: 40 N
- IP output side.....: IP65
- IP shaft side.....: IP65
- Contin. max RPM.....: 6000
- Starting torque..gcm.: 50
- Impact resistance.....: 250 G (11ms)
- Vibrations resistance..: 10 G (10 ÷ 1000 Hz)
- Bearings life: >10⁵ h at 1000 RPM

(*) Custom options

POSSIBLE OPTIONS

COD.	DESCRIPTION	COD.	DESCRIPTION	COD.	DESCRIPTION
				X	Custom options



ELCIS encoder s.r.l. Via Rosa Luxembourg 12/14 10093 COLLEGNO (TO) ITALY
Phone: +39 011 715577/78 r.a.
Mail: ELCIS encoder s.r.l. P.O.Box 70 10093 COLLEGNO (TO) ITALY

* <http://www.elcis.com>
* e-mail: info@elcis.com
* Fax: +39 011 712613

INTERFACE	CONNECTIONS
» DeviceNet	» Internal/external view connection cap 3PG with 2 LED
Programmable parameter: . Counting direction . Scaling factor . Preset value . Offset value » » »	

ORDERING INFORMATION

(00) 1 (12) 4096	(06) Ø 6 (standard) (10) Ø 10 ()	(0) Standard (X) Custom options	(3PG) Cap with 3 PG (PRM) Cap with 3 M12 plugs ()				
MODEL	STEP PER REVOL.	No. OF REVOL.	SHAFT Ø	CODE	INTERFACE	OPTIONS	CONNECTION
758SD	13	00	06	B	D2	0	3PG
	(13) 8192			(B) Binary	DeviceNet		

Product manufactured according to UNI EN ISO 9001:2000, supplied with CHECKING and CONFORMITY declaration with CE mark and with TWO (2) YEARS WARRANTY starting from delivery date.

	<p>ELCIS encoder s.r.l. Via Rosa Luxembourg 12/14 10093 COLLEGNO (TO) ITALY Phone: +39 011 715577/78 r.a. Mail: ELCIS encoder s.r.l. P.O.Box 70 10093 COLLEGNO (TO) ITALY</p>	<p>* http://www.elcis.com * e-mail: info@elcis.com * Fax: +39 011 712613</p>
--	---	---