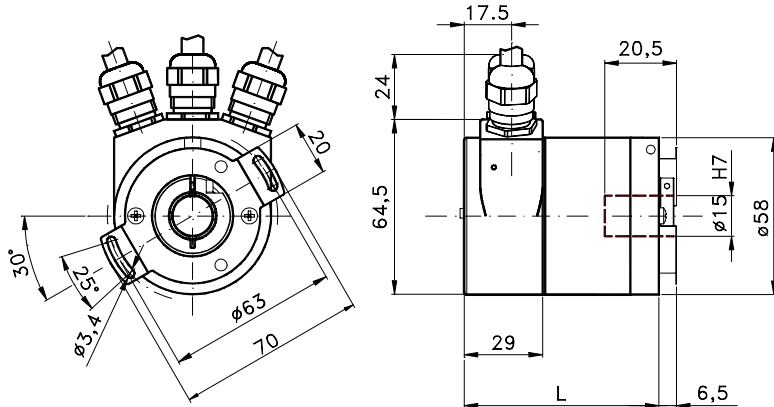
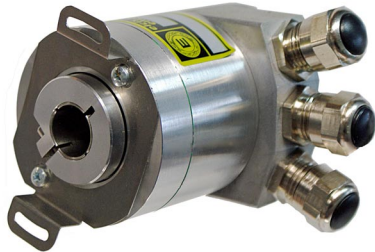


**ABSOLUTE
ENCODER
WITH FIELD BUS
759CD**

Compact and sturdy absolute encoder with hollow shaft and incorporated spring coupling. DeviceNet interface.
High resolution and very good quality/price ratio.

Family: **A**
pag.: 08.759CD 1/2
data sheet: IB 037 X00

DeviceNet™



* 82 Singleturn, 97 Multiturn

Measures without tolerance acc. to UNI ISO 2768-mk

TECHNICAL FEATURES AND POSSIBLE CONFIGURATIONS

- | | |
|---|---|
| <ul style="list-style-type: none"> - Output codes.....: Binary - Max resolution.....: 8192x4096 - No. of rev.....: 4096 - Accuracy.....: ± 0.05° - Max count. frequency..: 100 kHz - Power supply Vcc.....: 10÷30 Vcc - Max consumption.....: 2,5 W - Output interface.....: DeviceNet - Baudrate.....: 12 Mbit/sec.max - Progr. address.....: by Dip Switch - Protection.....: inversion of polarity
short-circuit - EMC.....: EN 61000-6-2, EN 61000-6-4 - Sensor.: Optical and Magnetic - Diagnostic indicators..: 2 LED - Connection: Connection cap with PG outlet
Connection cap with M12 plugs | <ul style="list-style-type: none"> - Operating temperature..: -25 ÷ +85 °C - Storage temperature....: -40 ÷ +100 °C - Humidity.....: 98% (without condensation) - Housing.....: Aluminium (*) - Weight.....: 350g - Shaft.....: Stainless steel - Max radial/axial load..: 40 N - IP output side.....: IP65 - IP shaft side.....: IP65 - Contin. max RPM.....: 6000 - Starting torque..gcm.: 50 - Impact resistance.....: 250 G (11ms) - Vibrations resistance..: 10 G (10 ÷ 1000 Hz) - Bearings life: >10⁵ h at 1000 RPM |
|---|---|

(*) Custom options

POSSIBLE OPTIONS

COD.	DESCRIPTION	COD.	DESCRIPTION	COD.	DESCRIPTION
				X	Custom options



ELCIS encoder s.r.l. Via Rosa Luxembourg 12/14 10093 COLLEGNO (TO) ITALY
Phone: +39 011 715577/78 r.a.
Mail: ELCIS encoder s.r.l. P.O.Box 70 10093 COLLEGNO (TO) ITALY

* <http://www.elcis.com>
* e-mail: info@elcis.com
* Fax: +39 011 712613

INTERFACE	CONNECTIONS
» DeviceNet	» Internal/external view connection cap 3PG with 2 LED
Programmable parameter: . Counting direction . Scaling factor . Preset value . Offset value » » »	

ORDERING INFORMATION

(00) 1 (12) 4096	(15) Ø 15 (standard) (12) Ø 12 (10) Ø 10	(0) Standard (X) Custom options	(3PG) Cap with 3 PG (PRM) Cap with 3 M12 plugs ()				
MODEL	STEP PER REVOL.	No. OF REVOL.	SHAFT Ø	CODE	INTERFACE	OPTIONS	CONNECTION
759CD	13	/ 00	/ 15	/ B	/ D2	/ 0	/ 3PG
	(13) 8192			(B) Binary	DeviceNet		

Product manufactured according to UNI EN ISO 9001:2000, supplied with CHECKING and CONFORMITY declaration with CE mark and with TWO (2) YEARS WARRANTY starting from delivery date.

	<p>ELCIS encoder s.r.l. Via Rosa Luxembourg 12/14 10093 COLLEGNO (TO) ITALY Phone: +39 011 715577/78 r.a. Mail: ELCIS encoder s.r.l. P.O.Box 70 10093 COLLEGNO (TO) ITALY</p>	<p>* http://www.elcis.com * e-mail: info@elcis.com * Fax: +39 011 712613</p>
--	---	---

COPYRIGHT by ELCIS - Collegno (TO)