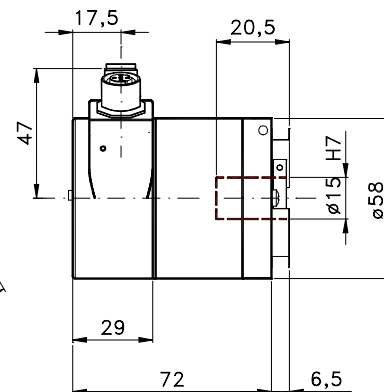
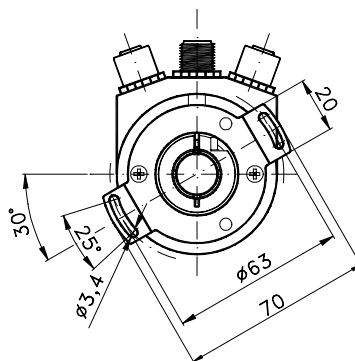


**ABSOLUTE  
ENCODER  
WITH FIELD BUS  
759CPN**

Compact and sturdy absolute encoder with hollow shaft and incorporated spring coupling. PROFINET interface.  
High resolution and very good quality/price ratio.

Family: A  
pag.: 07.759CPN 1/2  
data sheet: IB 053 X00



Measures without tolerance acc. to UNI ISO 2768-mk

**TECHNICAL FEATURES AND POSSIBLE CONFIGURATIONS**

- **Sensor**.....: Optical and Magnetic
- **Max resolution**.....: 13 bitx16384 rev.
- **Resolution**.....: (13) 8192
- **Accuracy**.....: ±0,5°
- **No. of rev**.....: 16384.
- **Technology multi-turn**..: Mechanical
- **Output codes**.....: Binary
- **Power supply Vcc**.....: 10-30 Vcc
- **Max consumption**.....: 1,7 W
- **Protection**.....: inversion of polarity  
short-circuit
- **Output interface**.....: PROFINET IO
- **Profile** .....: Profidrive Profile 4.x  
Encoder Profile 4.x
- **Baudrate**.....: 10 - 100 Mbit
- **Cycle time**.....: >= 1 mS
- **Communication mode**....: RT2, RT3 (isocronous)
- **Output Driver**.....: Ethernet
- **EMC**.....: EN 61000-6-2, EN 61000-6-4
- **Connection** .....: Connection cap with M12 plugs
- **Operating temperature**..: -25 + +85°C
- **Storage temperature**...: -40 + +100°C
- **Humidity**.....: 98% (without condensation)
- **Custodia**.....: Aluminium (\*)
- **Weight**.....: 350 g
- **Shaft**.....: Stainless steel
- **Max radial/axial load**..: 40 N
- **IP output side**.....: 65
- **IP shaft side**.....: 65
- **Contin. max RPM**.....: 6000
- **Starting torque .gcm**..: 50
- **Impact resistance**.....: 250 G (11 ms)
- **Vibrations resistance**..: 10 G (10 ÷ 1000 Hz)
- **Ball bearings** .....: ABEC5

(\*) Custom options

**POSSIBLE OPTIONS**

| COD. | DESCRIPTION | COD. | DESCRIPTION | COD. | DESCRIPTION    |
|------|-------------|------|-------------|------|----------------|
|      |             |      |             | X    | Custom options |

|  |  |  |
|--|--|--|
|  | ELCIS encoder s.r.l. Via Rosa Luxembourg 12/14 10093 COLLEGNO (TO) ITALY | * <a href="http://www.elcis.com">http://www.elcis.com</a>    |
|  | Phone: +39 011 715577/78 r.a.  | * e-mail: <a href="mailto:info@elcis.com">info@elcis.com</a> |
|  | Mail: ELCIS encoder s.r.l. P.O.Box 70 10093 COLLEGNO (TO) ITALY          | * Fax: +39 011 712613  |

## INTERFACE

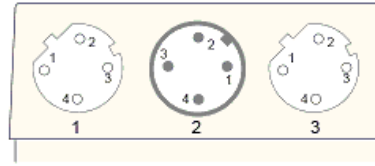
## CONNECTIONS

» (PN) Profinet

» Connection view

### Programmable parameter:

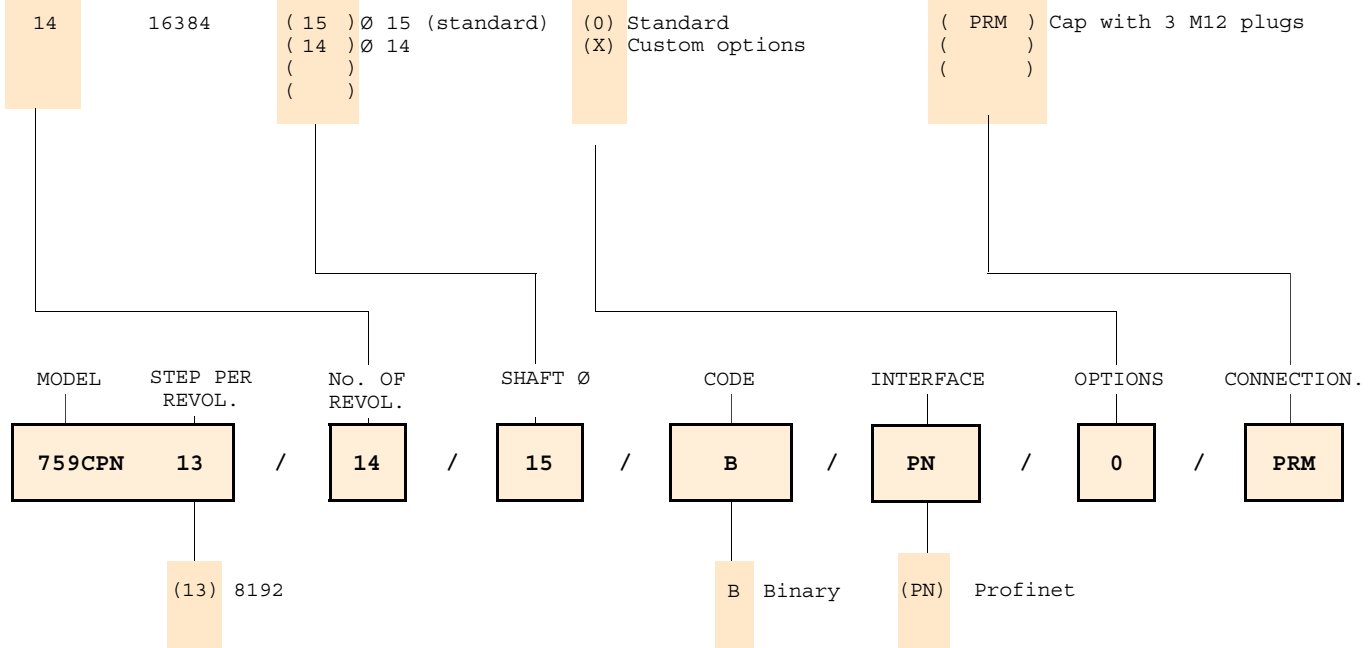
- . Counting direction
- . Scaling factor
- . Preset value
- . Offset value



### CONNECTIONS

| Connector 1 |     | Connector 2 |     | Connector 3 |     |
|-------------|-----|-------------|-----|-------------|-----|
| Signal      | Pin | Signal      | Pin | Signal      | Pin |
| Tx+         | 1   | +Vcc        | 1   | Tx+         | 1   |
| Rx+         | 2   | n.c.        | 2   | Rx+         | 2   |
| Tx-         | 3   | GND         | 3   | Tx-         | 3   |
| Rx-         | 4   | n.c.        | 4   | Rx-         | 4   |

## ORDERING INFORMATION



Product manufactured according to UNI EN ISO 9001:2000, supplied with CHECKING and CONFORMITY declaration with CE mark and with TWO (2) YEARS WARRANTY starting from delivery date.

COPYRIGHT by ELCIS - Collegno (TO)

ELCIS company has the right to make any change without previous notice

data sheet: IB 053 X00 pag.: 07.759CPN 2/2



ELCIS encoder s.r.l. Via Rosa Luxembourg 12/14 10093 COLLEGNO (TO) ITALY  
 Phone: +39 011 715577/78 r.a.  
 Mail: ELCIS encoder s.r.l. P.O.Box 70 10093 COLLEGNO (TO) ITALY

\* <http://www.elcis.com>  
 \* e-mail: [info@elcis.com](mailto:info@elcis.com)  
 \* Fax: +39 011 712613